

AB60J

ARTICULATED BOOM LIFT



- Tough & reliable diesel articulated boom lift
- Powerful 4-wheel drive for rough terrain
- Robust, rental tough design
- Simple to operate and maintain
- Ideal for both maintenance and construction applications

 **snorkel**[™]
www.snorkellifts.com

ARTICULATED BOOM LIFT

AB60J

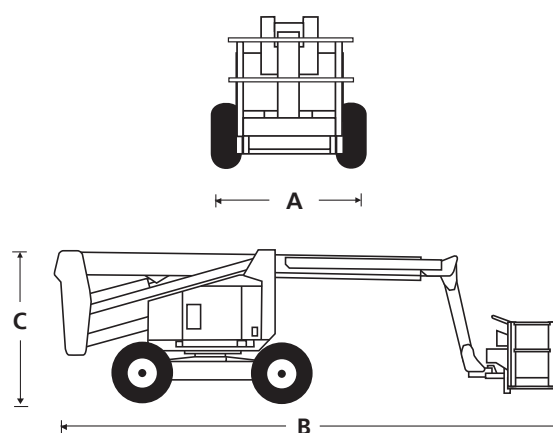
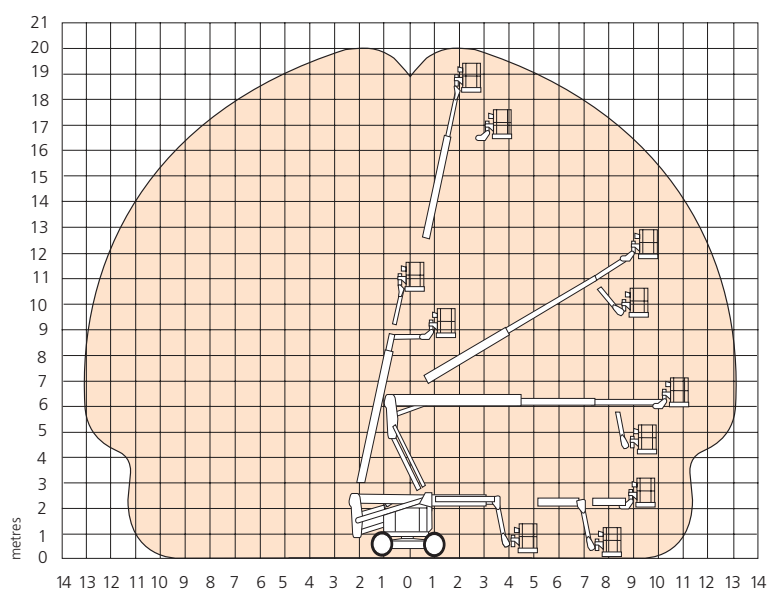
DIMENSIONS	AB60J
Max. working height	20.1m
Max. platform height	18.1m
Max. working outreach	13.1m
Clearance height at max. outreach	5.94m
Platform size	2.44m x 0.91m
Overall width (A)	2.4m
Overall length (B)	8.87m
Stowed height (C)	2.51m
Ground clearance	300mm

PERFORMANCE	
Platform capacity (SWL)	227kg
Max. drive height	18.1m
Max. wind speed	12.5m/s
Max. drive speed (stowed)	5.1km/h
Max. drive speed (elevated)	0.96km/h
Jib length	1.8m
Jib arc	75°
Platform rotation	180°
Turret rotation (continuous)	360°
Tailswing (riser boom elevated)	0m
Tailswing (riser boom stowed)	1.52m
Raise/lower time	125/121 sec
Gradeability	20%
Inside turning radius	5.24m
Outside turning radius	6.17m
Tires	15 x 19.5 foam filled
Controls	proportional joystick drive, lift & rotation
Drive system	4-wheel drive

POWER	
Power source	Kubota V2403 48kW/65hp diesel - Tier 4 Final

WEIGHT	
Weight	11,249kg

WORKING ENVELOPE



STANDARD FEATURES

- Snorkel Guard™ secondary guarding system
- Hydraulic platform rotation
- 4-wheel drive
- Drive motion alarm
- Power line to platform
- Flashing amber light
- Proportional drive, lift and swing
- Dual lanyard attachment points
- Foam filled tires
- Horn
- 3.5° tilt alarm & cut out
- 2 year parts & labor, 5 year structural warranty
- ANSI compliant

OPTIONS

- Special paint colors
- AC generator 110V/2.5kW
- Non marking tires
- Airline to platform
- Aircraft package
- Deluxe aircraft package
- Cold weather package
- Extreme cold weather package
- Extreme environment package
- Light package
- Tow kit
- Glazier package
- Utility package
- Tool tray
- Environmental hydraulic oil
- Pipe rack
- Personal fall arrest system
- Snorkel
- OnSite™ telematics

snorkel

www.snorkellifts.com

P.O. Box 1160
 St. Joseph, MO 64502-1160, USA
 Tel: 1 (785) 989-3000
 Toll-free: 1 (800) 255-0317
 Fax: 1 (785) 989-3070
 Email: sales.usa@snorkellifts.com