

SL26RTE/SL30RTE

ELECTRIC SPEED LEVEL



- Lithium-ion electric Speed Level sigma lift
- Quiet and clean zero emissions
- Fully charged in 5-8 hours
- Climbs gradients of up to 50%
- Auto-levelling without the need for stabilizers



snorkel[™]
www.snorkellifts.com

ELECTRIC SPEED LEVEL

SL26RTE/SL30RTE

| DIMENSIONS | SL26RTE | SL30RTE |
|---------------------------------|---------------|---------------|
| Max. working height | 10.0m | 11.0m |
| Max. platform height (A) | 8.0m | 9.0m |
| Platform size (stowed) | 1.72m x 3.66m | 1.72m x 4.23m |
| Platform size (extended) (E) | 1.72m x 4.6m | n/a |
| Extension deck length | 0.91m | n/a |
| Overall width (D) | 2.13m | 2.13m |
| Overall length (C) | 3.79m | 4.3m |
| Stowed height (B) | 2.6m | 2.6m |
| Min. height (guardrails folded) | 1.7m | 1.7m |
| Chassis ground clearance | 305mm | 305mm |
| Axle ground clearance | 195mm | 195mm |

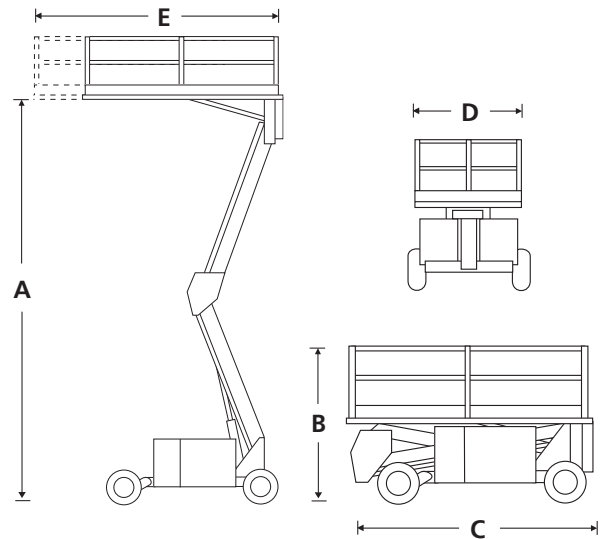
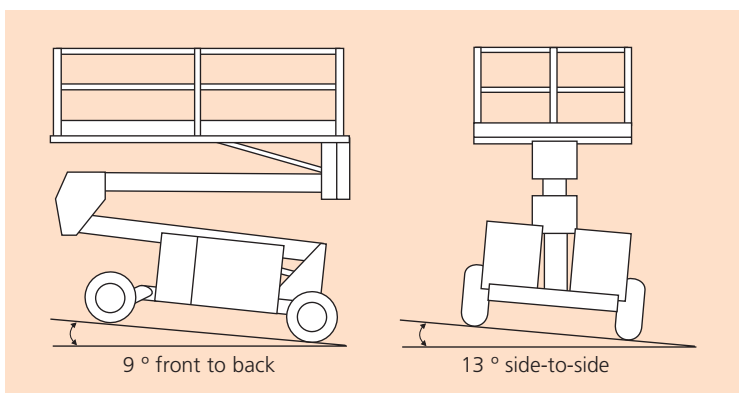
| PERFORMANCE | | |
|-------------------------------|---|---------------|
| Platform capacity (SWL) | 680kg | 590kg |
| Max. wind speed | 12.5m/s | 12.5m/s |
| Max. drive height | 8.0m | 9.0m |
| Max. drive speed (stowed) | 5.4 km/h | 5.4 km/h |
| Max. drive speed (elevated) | 0.8km/h | 0.8km/h |
| Raise/lower time | 21/32 seconds | 24/36 seconds |
| Gradeability | 50% | 50% |
| Max. levelling, front to rear | 9° | 9° |
| Max. levelling, side to side | 13° | 13° |
| Inside turning radius | 3.9m | 3.9m |
| Outside turning radius | 5.64m | 5.64m |
| Tires | 26 x 12.00 - 12 foam filled | |
| Controls | digital proportional joystick | |
| Drive system | 4-wheel drive with hydraulic motors and flow dividers | |

| POWER | | |
|-----------------------|---|--|
| Power source | 11.5kWh Li-ion batteries with integrated BMS | |
| Operating temperature | (-)25°C to (+)60°C | |
| Charger | high frequency smart on-board 50A battery charger | |

| MOTOR | | |
|-------|-------------------|--|
| Motor | AC electric motor | |

| WEIGHT | | |
|--------|---------|---------|
| Weight | 3,500kg | 3,450kg |

LEVELLING CAPABILITIES



STANDARD FEATURES

- Two lithium-ion battery systems 11.5kWh
- Automatic powered platform levelling
- Powerful 4-wheel drive
- Oscillating front axle
- High grip, open tread deck (SL30RTE only)
- Roll-out deck extension (SL26RTE only)
- Descent alarm
- High grip non-marking all terrain tires
- Digital proportional controls
- Power line to platform
- Fold-down guardrails
- All motion alarm
- Hour meter & on-board diagnostics display
- Flashing amber light
- 2000 charging cycles / 2 year* lithium battery warranty
- 2 year parts & labor, 5 year structural warranty
- ANSI compliant

OPTIONS

- Special paint colors
- Environmental hydraulic oil
- Additional 5.75kWh battery system
- Tunnel package (RTE)
- Extra range tunnel package (RTE)
- Work light package
- Driving light package
- Extreme environment package
- Aluminum platform floor (SL26RTE only)
- Snorkel OnSite™ telematics

snorkel www.snorkellifts.com

P.O. Box 1160
 St. Joseph, MO 64502-1160, USA
 Tel: 1 (785) 989-3000
 Toll-free: 1 (800) 255-0317
 Fax: 1 (785) 989-3070
 Email: sales.usa@snorkellifts.com