

S3215E/S3219E

ELECTRIC SLAB SCISSOR LIFTS



- Self-propelled electric scissor lifts
- Compact & nimble
- Drives through a standard doorway
- Suitable for indoor and outdoor use
- Easy to use & maintain

snorkel[™]
www.snorkellifts.com

ELECTRIC SLAB SCISSOR LIFTS

S3215E/S3219E

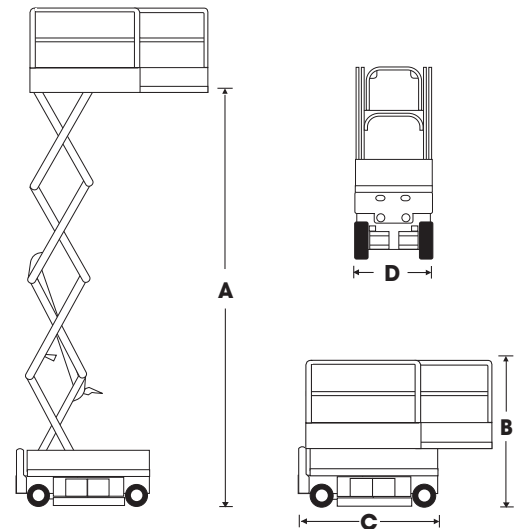
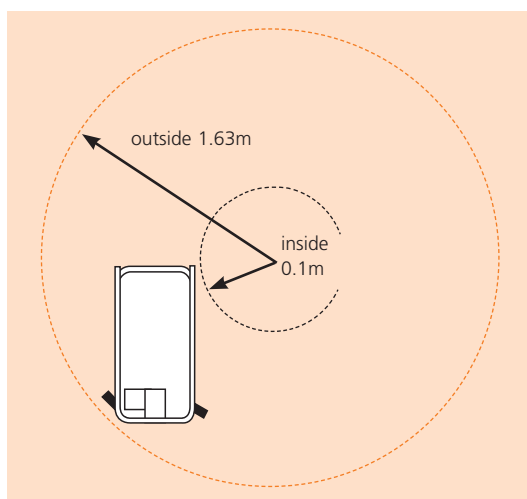
DIMENSIONS	S3215E	S3219E
Max. working height	6.6m	7.79m
Max. platform height (A)	4.6m	5.79m
Platform size (stowed)	0.72m x 1.62m	0.72m x 1.62m
Platform size (extended)	0.72m x 2.53m	0.72m x 2.53m
Extension deck length	0.91m	0.91m
Overall length (with step) (C)	1.78m	1.78m
Overall length (without step)	1.73m	1.73m
Overall width (D)	0.81m	0.81m
Stowed height (B)	2.02m	2.11m
Min. height (guardrails folded)	1.59m	1.65m
Ground clearance (stowed)	66mm	66mm
Ground clearance (elevated)	19mm	19mm

PERFORMANCE		
Platform capacity (SWL)	272kg	250kg
Max. drive height	4.6m	5.79m
Max. wind speed	12.5m/s	12.5m/s
Max. drive speed (stowed)	3.2km/h	3.2km/h
Max. drive speed (elevated)	0.6km/h	0.6km/h
Raise/lower time	20/36 sec	20/36 sec
Gradeability	25%	25%
Inside turning radius	0.1m	0.1m
Outside turning radius	1.63m	1.63m
Tires	12 x 4 non-marking rubber	
Controls	proportional	
Drive system	2-wheel drive	

POWER		
Power source	24V DC battery electric	
Charger	90 - 240V, 25amp	

WEIGHT		
Weight	1,307kg	1,398kg

TURNING RADIUS



STANDARD FEATURES

- Roll-out deck extension with dual locks
- Non-marking tires
- Loading control pendant
- Swing-out service trays
- Saloon-door style entry gates
- Descent alarm
- All motion alarm
- 2 persons indoor
- 1 person outdoor
- Proportional controls, including descent
- Power line to platform
- Platform overload system
- Hour meter & on-board diagnostics display
- Integrated battery charger
- Battery condition indicator
- Crane & forklift points
- Dual lanyard attachments points
- Flashing amber light
- Scissor stack roller slide plates (set of 2)
- 2 year parts & labor, 5 year structural warranty
- ANSI compliant

OPTIONS

- Special paint colors
- Snorkel Guard™ secondary guarding system
- Environmental hydraulic oil
- Airline to platform
- Aircraft bumpguard package
- 110V AC 800W inverter
- Panel carrier
- Pipe rack
- Top rail
- Snorkel OnSite™ telematics

snorkel www.snorkellifts.com

P.O. Box 1160
St. Joseph, MO 64502-1160, USA
Tel: 1 (785) 989-3000
Toll-free: 1 (800) 255-0317
Fax: 1 (785) 989-3070
Email: sales.usa@snorkellifts.com