

S2770RT/S3370RT/S3970RT

COMPACT ROUGH TERRAIN SCISSOR LIFTS



- Compact diesel rough terrain scissor lifts
- Excellent rough terrain performance
- Hydraulic outriggers with automatic levelling
- Roll-out deck extension
- Ideal for outdoor work in confined spaces

snorkel[™]
www.snorkellifts.com

COMPACT ROUGH TERRAIN SCISSOR LIFTS

S2770RT/ S3370RT/S3970RT

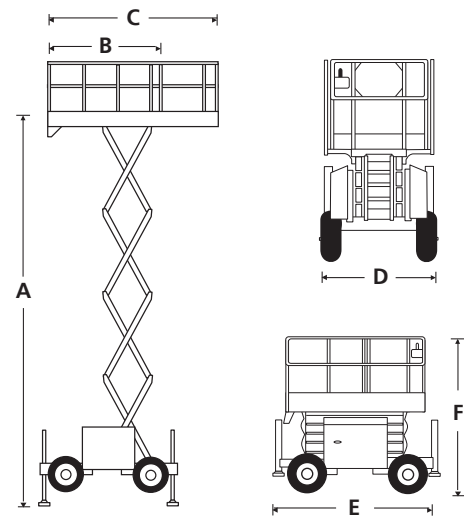
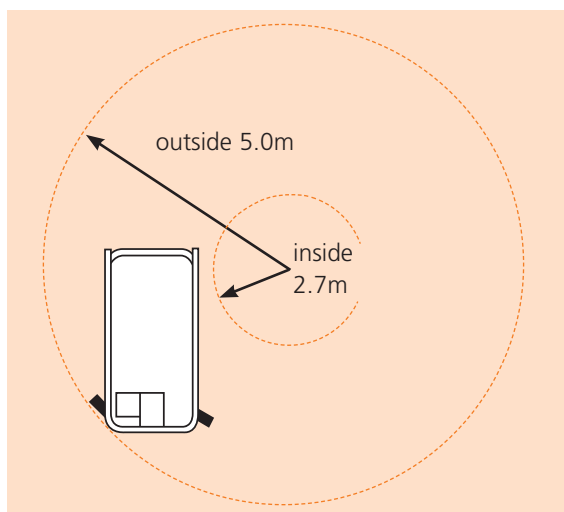
DIMENSIONS	S2770RT	S3370RT	S3970RT
Max. working height	10.1m	12.0m	13.8m
Max. platform height (A)	8.1m	10.0m	11.8m
Platform size (stowed) (B)	1.6m x 2.8m	1.6m x 2.8m	1.6m x 2.8m
Platform size (extended) (C)	1.6m x 4.0m	1.6m x 4.0m	1.6m x 4.0m
Extension deck length	1.2m	1.2m	1.2m
Overall width (D)	1.8m	1.8m	1.8m
Overall length (E)	3.4m	3.4m	3.4m
Stowed height (F)	2.61m	2.7m	2.95m
Min. height (guardrails folded)	1.83m	2.0m	2.13m
Ground clearance	330mm	330mm	330mm

PERFORMANCE	S2770RT	S3370RT	S3970RT
Platform capacity (SWL)	580kg	454kg	350kg
Max. drive height	8.1m	10.0m	11.8m
Max. wind speed	12.5m/s	12.5m/s	12.5m/s
Max. drive speed (stowed)	4.5km/h	4.5km/h	4.5km/h
Max. drive speed (elevated)	0.5km/h	0.3km/h	0.3km/h
Raise/lower time	26/30 sec	50/60 sec	50/60 sec
Gradeability	35%	35%	35%
Max. outrigger levelling, front to rear	6°	6°	6°
Max. outrigger levelling, side to side	10°	10°	10°
Inside turning radius	2.7m	2.7m	2.7m
Outside turning radius	5.0m	5.0m	5.0m
Tires	27 x 10.5 - 15 foam filled, non-marking		
Controls	proportional joystick		
Drive system	4-wheel drive		

POWER	S2770RT	S3370RT	S3970RT
Power source	Kubota D-902 water-cooled diesel 22.5hp Tier 4 Final		

WEIGHT	S2770RT	S3370RT	S3970RT
Weight	2,886kg	3,620kg	3,790kg

TURNING RADIUS



STANDARD FEATURES

- 4-wheel drive
- 4 hydraulic outriggers with automatic levelling
- Roll-out deck extension
- Non-marking foam filled tires
- Proportional controls
- Power line to platform
- Platform overload system
- Drive motion alarm
- Descent alarm
- Manual lowering valve
- Flashing amber light (x2)
- Oscillating axle
- Fold-down guardrails
- Hour meter & on-board diagnostics display
- Dual lanyard attachment points
- 2 year parts & labor, 5 year structural warranty
- ANSI compliant

OPTIONS

- Special paint colors
- Cold weather package
- Hydraulic generator 110V 2kW
- Nylon spreader pads (set of 4)
- Environmental hydraulic oil
- Turf/Flotation tires (S2770RT & S3370RT only)
- Snorkel OnSite™ telematics

snorkel www.snorkellifts.com

P.O. Box 1160
St. Joseph, MO 64502-1160, USA
Tel: 1 (785) 989-3000
Toll-free: 1 (800) 255-0317
Fax: 1 (785) 989-3070
Email: sales.usa@snorkellifts.com