



**STRONG PARTNERS.
TOUGH TRUCKS.™**



4-WHEEL ELECTRIC FORKLIFT TRUCKS

J2.2-3.5XN

2 200-3 500 KG



J2.2XN, J2.5XN, J3.0XN, J3.5XN ADVANCE

DISTINGUISHING MARKS	1.1	Manufacturer (abbreviation)	
	1.2	Manufacturer's type designation	
		Model	
	1.3	Drive: electric (battery or mains), diesel, petrol, fuel gas	
	1.4	Operator type: hand, pedestrian, standing, seated, order-picker	
	1.5	Rated capacity / Rated load	Q (kg)
	1.6	Load centre distance	c (mm)
	1.8	Load distance, centre of drive axle to fork	x (mm)
	1.9	Wheelbase	y (mm)

WEIGHTS	2.1	Service weight <input type="checkbox"/>	kg
	2.2	Axle loading, laden front/rear <input type="checkbox"/>	kg
	2.3	Axle loading, unladen front/rear <input type="checkbox"/>	kg

TYRES / CHASSIS	3.1	Tyres: L = pneumatic, V = cushion, SE = Pneumatic Shape Solid	
	3.2	Tyre size, front	
	3.3	Tyre size, rear	
	3.5	Wheels, number front/rear (x = driven wheels)	
	3.6	Tread, front *	b ₁₀ (mm)
	3.7	Tread, rear	b ₁₁ (mm)

DIMENSIONS	4.1	Tilt of mast/fork carriage forward/backward	α / β (°)
	4.2	Height, mast lowered	h ₁ (mm)
	4.3	Free lift <input type="checkbox"/>	h ₂ (mm)
	4.4	Lift <input type="checkbox"/>	h ₃ (mm)
	4.5	Height, mast extended +	h ₄ (mm)
	4.7	Height of overhead guard (cabin) <input type="checkbox"/>	h ₆ (mm)
	4.7.1	Cab height (open cab)	
	4.8	Seat height relating to SIP/stand height <input type="checkbox"/>	h ₇ (mm)
	4.12	Coupling height	h ₁₀ (mm)
	4.19	Overall length	l ₁ (mm)
	4.20	Length to face of forks <input type="checkbox"/>	l ₂ (mm)
	4.21	Overall width *	b ₇ /b ₂ (mm)
	4.22	Fork dimensions DIN ISO 2331	s/e/l (mm)
	4.23	Fork carriage ISO 2328, class/type A, B	
	4.24	Fork carriage width <input type="checkbox"/>	b ₃ (mm)
	4.31	Ground clearance, laden, below mast	m ₁ (mm)
	4.32	Ground clearance, centre of wheelbase	m ₂ (mm)
	4.33	Load dimension b ₁₂ × l ₆ crossways	b ₁₂ × l ₆ (mm)
	4.34	Aisle width predetermined load dimensions	A ₁₂ (mm)
	4.34.1	Aisle width for pallets 1000 × 1200 wide <input type="checkbox"/>	A ₁₂ (mm)
4.34.2	Aisle width for pallets 800 × 1200 long <input type="checkbox"/>	A ₁₂ (mm)	
4.35	Turning radius	W ₉ (mm)	
4.36	Internal turning radius	b ₁₃ (mm)	
4.41	90° intersecting aisle (With pallet W = 1200mm, L = 1000mm)	(mm)	
4.42	Step Height (from ground to running board) *	(mm)	
4.43	Step Height	(mm)	

PERFORMANCE DATA	5.1	Travel speed, laden / unladen <input type="checkbox"/>	km/h
	5.2	Lift speed, laden / unladen	m/sec
	5.3	Lowering speed, laden / unladen	m/sec
	5.5	Drawbar pull, laden / unladen, 60 minute rating **	N
	5.6	Maximum drawbar pull laden / unladen, 5 minute rating***	N
	5.7	Gradeability laden / unladen, 30 minute rating **** †	%
	5.8	Maximum gradeability laden / unladen *** †	%
	5.9	Acceleration time, laden / unladen 10m <input type="checkbox"/>	sec
	5.10	Service brake	

ELECTRIC ENGINE	6.1	Drive motor rating S2 60 min	kW
	6.2	Lift motor rating at S3 15%	kW
	6.3	Battery according to DIN 43531/35/36 A, B, C, no	
	6.4	Battery voltage/nominal capacity K5	V/Ah
	6.5	Battery weight (min/max)	kg
	6.6	Energy consumption according to VDI cycle <input type="checkbox"/>	kWh/h @Nr of Cycles

ADDITIONAL DATA	8.1	Drive control	
	10.1	Operating pressure for attachments	bar
	10.2	Oil volume for attachments <input type="checkbox"/>	l/min
	10.3	Hydraulic oil tank, capacity	l
	10.7	Sound pressure level at the driver's seat <input type="checkbox"/>	dB(A)
	10.8	Towing coupling, type DIN	

HYSTER		HYSTER		HYSTER	
J2.2XN		J2.5XN-717		J2.5XN-861	
Advance		Advance		Advance	
Electric (battery)		Electric (battery)		Electric (battery)	
Seated		Seated		Seated	
2200		2500		2500	
500		500		500	
419		419		419	
1606		1606		1750	

4520		4520		4930	
5739	977	6211	805	6283	1144
2279	2236	2279	2236	2469	2458

SE		SE		SE	
23 x 10 - 12		23 x 10 - 12		23 x 10 - 12	
18 x 7 - 8		18 x 7 - 8		18 x 7 - 8	
2X	2	2X	2	2X	2
938	1054	938	1054	938	1054
992		992		992	

5		5		5		5	
2192		2192		2192		2192	
100		100		100		100	
3350		3350		3350		3350	
3960		3960		3960		3960	
2193		2193		2193		2193	
2206		2206		2206		2206	
1070		1070		1070		1070	
262		262		262		262	
3336		3336		3480		3480	
2336		2336		2480		2480	
1173		1289		1173		1289	
40	100	1000	40	100	1000	40	100
2A		2A		2A		2A	
1067		1067		1067		1067	
83		83		83		83	
137		137		137		137	
1200 x 1000		1200 x 1000		1200 x 1000		1200 x 1000	
3613		3613		3750		3750	
3613		3613		3750		3750	
3766		3766		3906		3906	
1931		1931		2073		2073	
173		173		189		189	
1981		1981		2043		2043	
706 / 810		706 / 810		706 / 810		706 / 810	
475		475		475		475	

18.0		18.0		18.0		18.0	
0.40		0.63		0.38		0.63	
0.57		0.5		0.57		0.51	
5468		5773		5591		5726	
18045		19052		18451		18897	
10		14		9		13	
26		39		24		35	
4.42		4.11		4.45		4.11	
Hydraulic		Hydraulic		Hydraulic		Hydraulic	

2 x 10.0		2 x 10.0		2 x 10.0	
16.0		16.0		16.0	
43536A		43536A		43536A	
80	560	80	560	80	700
1480	1635	1480	1635	1770	1956
6.68		7.00		7.89	

AC electronic		AC electronic		AC electronic	
155		155		155	
20-40		20-40		20-40	
29.3		29.3		29.3	
67		67		67	
Pin		Pin		Pin	

Specification data is based on VDI 2198 * Standard /Wide tread ** 60 minute rating *** 5 minute rating **** 30 minute rating

HYSTER		HYSTER		1.1
J3.0XN		J3.5XN		1.2
Advance		Advance		
Electric (battery)		Electric (battery)		1.3
Seated		Seated		1.4
3000		3500		1.5
500		500		1.6
431		431		1.8
1750		1750		1.9

DISTINGUISHING MARKS

5000		5320		2.1
7157	841	7871	942	2.2
2560	2438	2508	2805	2.3

WEIGHTS

SE		SE		3.1
23 x 10 - 12		23 x 10 - 12		3.2
18 x 7 - 8		18 x 7 - 8		3.3
2X	2	2X	2	3.5
938	1054	938	1054	3.6
992		992		3.7

TYRES / CHASSIS

5		5		5		5		4.1
2192		2192		2192		2192		4.2
100		100		100		100		4.3
3155		3155		3155		3155		4.4
3865		3865		3865		3865		4.5
2193		2193		2193		2193		4.7
2206		2206		2206		2206		4.7.1
1070		1070		1070		1070		4.8
262		262		262		262		4.12
3492		3570		3570		3570		4.19
2492		2570		2570		2570		4.20
1173	1289	1173	1289	1173	1289	1173	1289	4.21
50	120	1000	50	120	1000	50	120	4.22
3A		3A		3A		3A		4.23
1067		1067		1067		1067		4.24
83		83		83		83		4.31
137		137		137		137		4.32
1200 x 1000		1200 x 1000		1200 x 1000		1200 x 1000		4.33
3762		3828		3828		3828		4.34
3762		3828		3828		3828		4.34.1
3918		3984		3984		3984		4.34.2
2073		2139		2139		2139		4.35
189		189		189		189		4.36
2043		2076		2076		2076		4.41
706 / 810		706 / 810		706 / 810		706 / 810		4.42
475		475		475		475		4.43

DIMENSIONS

17.0		18.0		16.0		18.0		5.1
0.33		0.59		0.31		0.59		5.2
0.56		0.46		0.58		0.46		5.3
5441		5588		5478		5720		5.5
17956		18441		18076		18875		5.6
8		12		7		12		5.7
22		34		20		32		5.8
4.56		4.18		4.60		4.23		5.9
Hydraulic		Hydraulic		Hydraulic		Hydraulic		5.10

PERFORMANCE DATA

2 x 10.0		2 x 10.0		6.1
16.0		16.0		6.2
43536A		43536A		6.3
80	700	80	700	6.4
1770	1956	1770	1956	6.5
8.66		10.03		6.6

ELECTRIC ENGINE

AC electronic		AC electronic		8.1
155		155		10.1
20-40		20-40		10.2
29.3		29.3		10.3
67		67		10.7
Pin		Pin		10.8

ADDITIONAL DATA

EQUIPMENT & WEIGHT:

Weights (line 2.1) are based on the following specifications:
Complete truck with 3 390 mm (J2.5-2.5XN) or 3 200 mm (J3.0-3.5XN) 2-stage limited free lift mast, standard carriage and 1000 mm forks with load backrest with extended shift on with DIN battery configuration, standard seat and overhead guard and pneumatic shaped solid drive and steer tyres.

NOTE:

Specifications are affected by the condition of the vehicle and how it is equipped, as well as the nature and condition of the operating area. If these specifications are critical, the proposed application should be discussed with your dealer.

- Max. battery
- ¶ Bottom of forks
- + Without load backrest
- Full suspension in compressed position specified. Add 40 mm for nominal position. Add 104 mm for battery side removal option
- Add 28 mm with load backrest
- h_3 subject to +/- 5 mm tolerance. Add 20mm with cab option. Add 104mm for battery side removal option. Add 124mm for battery side removal with cab option
- ★ Vertical/horizontal battery removal
- ◇ With sideshift carriage add 32mm for J2.2XN - J2.5XN-717, 34mm for J2.5XN-861 LWB, 33mm for J3.0XN, 32mm for J3.5XN
- ◆ Stacking aisle width (lines 4.34.1 & 4.34.2) is based on the VDI standard calculation as shown on illustration. The British Industrial Truck Association recommends the addition of 100 mm to the total clearance (dimension a) for extra operating margin at the rear of the truck.
- † Gradeability figures (lines 5.7 & 5.8) are provided for comparison of tractive performance, but are not intended to endorse the operation of the vehicle on the stated inclines. Follow instructions in the operating manual regarding operation on inclines.
- △ HiP Performance settings
- eLo Performance settings
- ◇ Maximum flow set through dash display.
- ⊙ L_{PAZ} measured according to the test cycles and based on the weighting values contained in EN12053

TABLES KEY:

- ❖ Add 666mm with load backrest extension.
- Deduct 666mm with load backrest extension.
- Add 684mm with load backrest extension
- ✕ Deduct 684mm with load backrest extension.
- ▶ Add 583mm with load backrest extension.
- ▲ Deduct 583mm with load backrest extension.
- ← Add 601mm with load backrest extension.
- ✱ Deduct 601mm with load backrest extension.
- Nominal Battery compartment length.
- Wide tread required. Standard tread possible but with reduced capacity. Contact your lift truck dealer
- ↘ Alternative capacities available with pneumatic tyres. Contact your lift truck dealer.
- ◁ Max fork height = h_3+s
- ◇ Freelif (top of forks) = h_2+s

NOTICE

Care must be exercised when handling elevated loads. When the carriage and/or load is elevated, truck stability is reduced. It is important that mast tilt in either direction be kept to a minimum when loads are elevated

Operators must be trained and adhere to the instructions contained in the Operating Manual.

Hyster products are subject to change without notice. Lift trucks illustrated may feature optional equipment.

CE Safety:

This truck conforms to the current EU requirements.

J2.2XN, J2.5XN, J3.0XN, J3.5XN ADVANCE+

DISTINGUISHING MARKS	1.1	Manufacturer (abbreviation)	
	1.2	Manufacturer's type designation	
		Model	
	1.3	Drive: electric (battery or mains), diesel, petrol, fuel gas	
	1.4	Operator type: hand, pedestrian, standing, seated, order-picker	
	1.5	Rated capacity / Rated load	Q (kg)
	1.6	Load centre distance	c (mm)
	1.8	Load distance, centre of drive axle to fork	x (mm)
	1.9	Wheelbase	y (mm)

WEIGHTS	2.1	Service weight <input type="checkbox"/>	kg
	2.2	Axle loading, laden front/rear <input type="checkbox"/>	kg
	2.3	Axle loading, unladen front/rear <input type="checkbox"/>	kg

TYRES / CHASSIS	3.1	Tyres: L = pneumatic, V = cushion, SE = Pneumatic Shape Solid	
	3.2	Tyre size, front	
	3.3	Tyre size, rear	
	3.5	Wheels, number front/rear (x = driven wheels)	
	3.6	Tread, front *	b ₁₀ (mm)
	3.7	Tread, rear	b ₁₁ (mm)

DIMENSIONS	4.1	Tilt of mast/fork carriage forward/backward	α / β (°)
	4.2	Height, mast lowered	h ₁ (mm)
	4.3	Free lift <input type="checkbox"/>	h ₂ (mm)
	4.4	Lift <input type="checkbox"/>	h ₃ (mm)
	4.5	Height, mast extended +	h ₄ (mm)
	4.7	Height of overhead guard (cabin) <input type="checkbox"/>	h ₆ (mm)
	4.7.1	Cab height (open cab)	
	4.8	Seat height relating to SIP/stand height <input type="checkbox"/>	h ₇ (mm)
	4.12	Coupling height	h ₁₀ (mm)
	4.19	Overall length	l ₁ (mm)
	4.20	Length to face of forks <input type="checkbox"/>	l ₂ (mm)
	4.21	Overall width *	b ₇ /b ₂ (mm)
	4.22	Fork dimensions DIN ISO 2331	s/e/l (mm)
	4.23	Fork carriage ISO 2328, class/type A, B	
	4.24	Fork carriage width <input type="checkbox"/>	b ₃ (mm)
	4.31	Ground clearance, laden, below mast	m ₁ (mm)
	4.32	Ground clearance, centre of wheelbase	m ₂ (mm)
	4.33	Load dimension b ₁₂ × l ₆ crossways	b ₁₂ × l ₆ (mm)
	4.34	Aisle width predetermined load dimensions	A ₁₂ (mm)
	4.34.1	Aisle width for pallets 1000 × 1200 wide <input type="checkbox"/>	A ₁₂ (mm)
	4.34.2	Aisle width for pallets 800 × 1200 long <input type="checkbox"/>	A ₁₂ (mm)
4.35	Turning radius	W ₁ (mm)	
4.36	Internal turning radius	b ₁₃ (mm)	
4.41	90° intersecting aisle (With pallet W = 1200mm, L = 1000mm)	(mm)	
4.42	Step Height (from ground to running board) *	(mm)	
4.43	Step Height	(mm)	

PERFORMANCE DATA	5.1	Travel speed, laden / unladen <input type="checkbox"/>	km/h
	5.2	Lift speed, laden / unladen	m/sec
	5.3	Lowering speed, laden / unladen	m/sec
	5.5	Drawbar pull, laden / unladen, 60 minute rating **	N
	5.6	Maximum drawbar pull laden / unladen, 5 minute rating***	N
	5.7	Gradeability laden / unladen, 30 minute rating **** †	%
	5.8	Maximum gradeability laden / unladen *** †	%
	5.9	Acceleration time, laden / unladen 10m <input type="checkbox"/>	sec
	5.10	Service brake	

ELECTRIC ENGINE	6.1	Drive motor rating S2 60 min	kW
	6.2	Lift motor rating at S3 15%	kW
	6.3	Battery according to DIN 43531/35/36 A, B, C, no	
	6.4	Battery voltage/nominal capacity K5	V/Ah
	6.5	Battery weight (min/max)	kg
	6.6	Energy consumption according to VDI cycle <input type="checkbox"/>	kWh/h @Nr of Cycles

ADDITIONAL DATA	8.1	Drive control	
	10.1	Operating pressure for attachments	bar
	10.2	Oil volume for attachments <input type="checkbox"/>	l/min
	10.3	Hydraulic oil tank, capacity	l
	10.7	Sound pressure level at the driver's seat <input type="checkbox"/>	dB(A)
	10.8	Towing coupling, type DIN	

HYSTER		HYSTER		HYSTER	
J2.2XN		J2.5XN-717		J2.5XN-861	
Advance+		Advance+		Advance+	
Electric (battery)		Electric (battery)		Electric (battery)	
Seated		Seated		Seated	
2200		2500		2500	
500		500		500	
419		419		419	
1606		1606		1750	

4670		4870		4860	
5640	1224	6114	1254	6183	1167
2018	2646	1805	3063	2067	2783

SE		SE		SE	
23 x 10 - 12		23 x 10 - 12		23 x 10 - 12	
18 x 7 - 8		18 x 7 - 8		18 x 7 - 8	
2X	2	2X	2	2X	2
938	1054	938	1054	938	1054
992		992		992	

5		5		5		5		
2192		2192		2192		2192		
100		100		100		100		
3350		3350		3350		3350		
3960		3960		3960		3960		
2193		2193		2193		2193		
2206		2206		2206		2206		
1070		1070		1070		1070		
262		262		262		262		
3336		3336		3480		3480		
2336		2336		2480		2480		
1173		1289		1173		1289		
40	100	1000	40	100	1000	40	100	1000
2A		2A		2A		2A		
1067		1067		1067		1067		
83		83		83		83		
137		137		137		137		
1200 x 1000		1200 x 1000		1200 x 1000		1200 x 1000		
3613		3613		3750		3750		
3613		3613		3750		3750		
3766		3766		3906		3906		
1931		1931		2073		2073		
173		173		189		189		
1981		1981		2043		2043		
706 / 810		706 / 810		706 / 810		706 / 810		
475		475		475		475		

21.0		21.0		21.0		21.0	
0.52		0.72		0.49		0.72	
0.57		0.51		0.57		0.51	
6015		6235		6037		6185	
19849		20576		19927		20409	
11		16		10		14	
28		42		26		38	
4.04		3.71		4.04		3.71	
Hydraulic		Hydraulic		Hydraulic		Hydraulic	

2 x 10.0		2 x 10.0		2 x 10.0	
24.0		24.0		24.0	
43536A		43536A		43536A	
80	560	80	560	80	700
1480	1635	1480	1635	1770	1956
7.51		7.87		8.86	

AC electronic		AC electronic		AC electronic	
155		155		155	
20-40		20-40		20-40	
29.3		29.3		29.3	
68		68		68	
Pin		Pin		Pin	

Specification data is based on VDI 2198 * Standard /Wide tread ** 60 minute rating *** 5 minute rating **** 30 minute rating

TRUCK DIMENSIONS

HYSTER		HYSTER		DISTINGUISHING MARKS	
J3.0XN	J3.5XN				1.1
Advance+	Advance+				1.2
Electric (battery)	Electric (battery)				1.3
Seated	Seated				1.4
3000	3500				1.5
500	500				1.6
431	431				1.8
1750	1750				1.9

5300		5370		WEIGHTS	
7055	1244	7752	1115		2.1
2090	3209	2209	3158		2.2
				2.3	

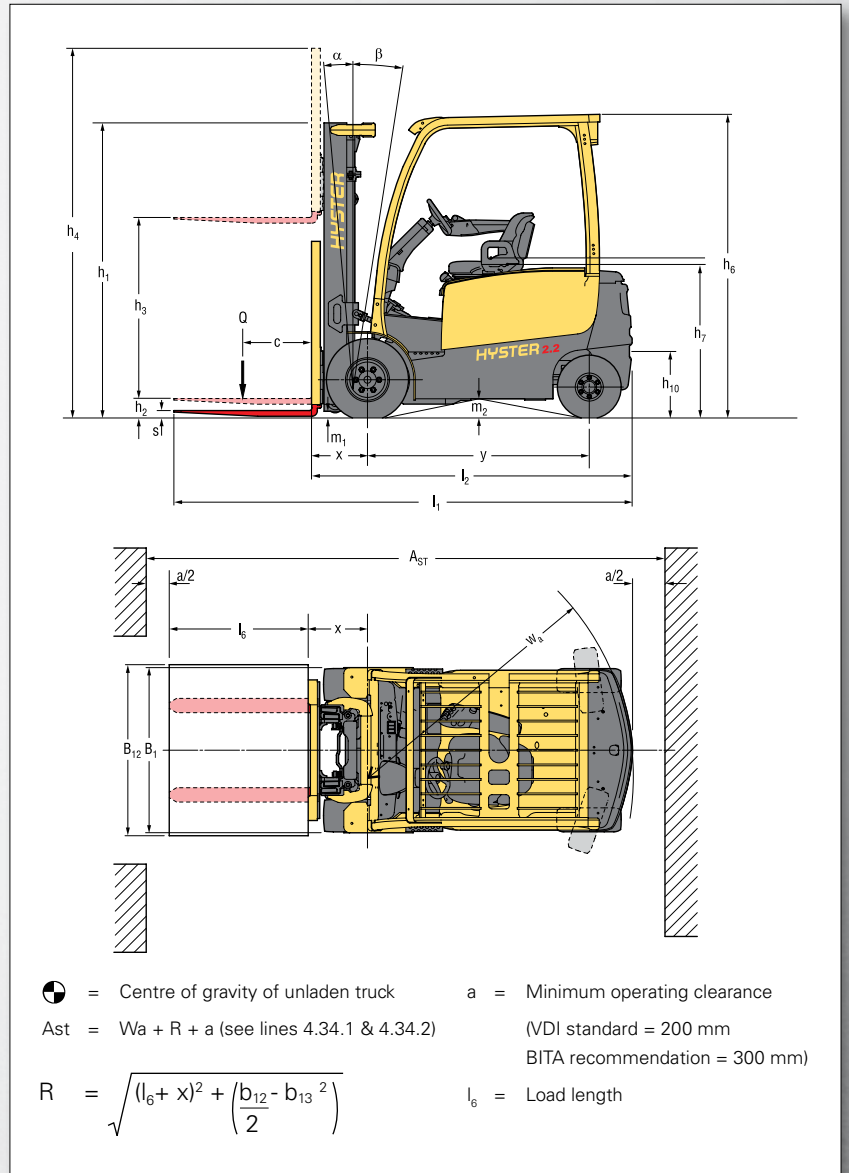
SE		SE		TYRES / CHASSIS	
23 x 10 - 12	23 x 10 - 12				3.1
18 x 7 - 8	18 x 7 - 8				3.2
2X	2	2X	2		3.3
938	1054	938	1054		3.4
					3.5
992	992				3.6
				3.7	

5		5		5		5		DIMENSIONS	
2192				2192					4.1
100				100					4.2
3155				3155					4.3
3865				3865					4.4
2193				2193					4.5
2206				2206					4.6
1070				1070					4.7
262				262					4.8
3492				3570					4.9
2492				2570					4.10
1173	1289	1173	1289						4.11
50	120	1000		50	120	1000			4.12
3A				3A					4.13
1067				1067					4.14
83				83					4.15
137				137					4.16
1200 x 1000				1200 x 1000					4.17
3762				3828					4.18
3762				3828					4.19
3918				3984					4.20
2073				2139					4.21
189				189					4.22
2043				2076					4.23
706 / 810				706 / 810				4.24	
475				475				4.25	

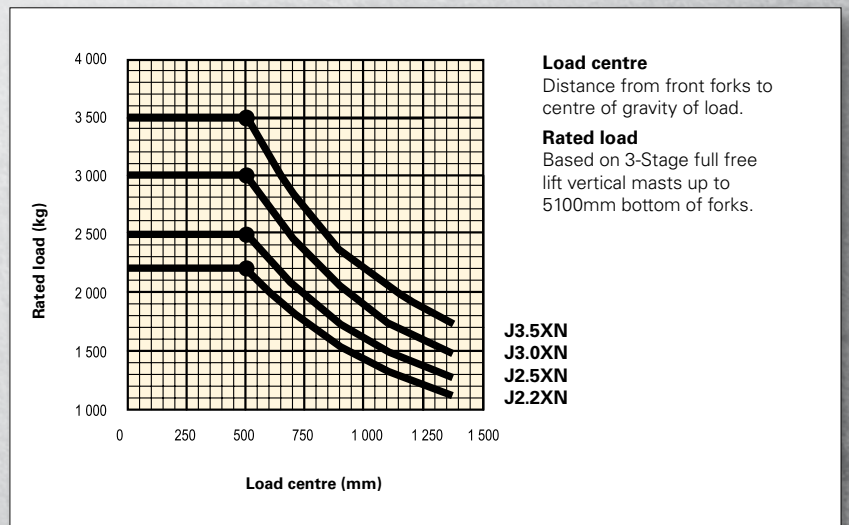
19.5		21.0		18.0		21.0		PERFORMANCE DATA	
0.42	0.63	0.37	0.63						5.1
0.56	0.46	0.58	0.46						5.2
5877	6035	5918	6177						5.3
19393	19916	19522	20385						5.4
9	13	8	13						5.5
24	37	22	35						5.6
4.14	3.78	4.19	3.83						5.7
Hydraulic		Hydraulic							5.8
									5.9

2 x 10.0		2 x 10.0		ELECTRIC ENGINE	
24.0		24.0			6.1
43536A		43536A			6.2
80	700	80	700		6.3
1770	1956	1770	1956		6.4
8.66		10.03			6.5
				6.6	

AC electronic		AC electronic		ADDITIONAL DATA	
155		155			8.1
20-40		20-40			10.1
29.3		29.3			10.2
68		68			10.3
Pin		Pin			10.4
				10.5	
				10.6	
				10.7	
				10.8	



RATED CAPACITIES



EQUIPMENT & WEIGHT:

Weights (line 2.1) are based on the following specifications: Complete truck with 3 390 mm (J2.5-2.5XN) or 3 200 mm (J3.0-3.5XN) 2-stage limited free lift mast, standard carriage and 1000 mm forks with load backrest with extended shift on with DIN battery configuration, standard seat and overhead guard and pneumatic shaped solid drive and steer tyres.

MAST AND CAPACITY INFORMATION

Values shown are for standard equipment. When using non-standard equipment these values may change. Please contact your Hyster dealer for information.

VISTA MASTS J2.2-2.50XN

	Maximum Fork Height (mm) (h ₃ + s) ◁	Back Tilt	Overall Lowered Height (mm)	Overall Extended Height (mm)	Free lift (top of forks) ◊ (mm) (h ₂ + s)
Vista 2-Stage limited free lift	3390	5°	2195	3956 ❖	140
	3790	5°	2395	4356 ❖	140
	4330	5°	2745	4896 ❖	140
	4830	5°	2995	5396 ❖	140
Vista 2-Stage full free lift	3400	5°	2195	3966 ❖	1625 ○
Vista 3-Stage limited free lift	4950	5°	2145	5496 →	1595 ✖
	5550	5°	2395	6096 →	1845 ✖
	6000	5°	2595	6546 →	2045 ✖

VISTA MASTS J3.0-3.5XN

	Maximum Fork Height (mm) (h ₃ + s) ◁	Back Tilt	Overall Lowered Height (mm)	Overall Extended Height (mm)	Free lift (top of forks) ◊ (mm) (h ₂ + s)
Vista 2-Stage limited free lift	3200	5°	2195	3861 ▶	145
	3600	5°	2395	4261 ▶	145
	4100	5°	2745	4761 ▶	145
	4600	5°	2990	5261 ▶	145
Vista 2-Stage full free lift	3205	5°	2195	3862 ▶	1535 ▲
Vista 3-Stage limited free lift	4610	5°	2145	5252 ←	1500 ✖
	4910	5°	2295	5552 ←	1650 ✖
	5210	5°	2395	5852 ←	1750 ✖
	5810	5°	2645	6452 ←	2000 ✖

J2.2-3.5XN - capacity chart in kg @ 500 mm load centres

	Maximum fork height ◁ (mm) (h ₃ + s)	Pneumatic Shaped Solid Tyres										
		WITHOUT sideshift			WITH integral sideshift			Maximum fork height ◁ (mm) (h ₃ + s)	WITHOUT sideshift		WITH integral sideshift	
		J2.2XN 717 □	J2.5XN 717 □	J2.5XN 861 □	J2.2XN 717 □	J2.5XN 717 □	J2.5XN 861 □		J3.0XN 861 □	J3.5XN 861 □	J3.0XN 861 □	J3.5XN 861 □
Vista 2-Stage limited free lift	3390 3790 4330 4830	2200 2200 2200 2200	2500 2500 2500 2480	2500 2500 2500 2500	2200 2200 2200 2190	2490 2490 2470 2440	2500 2500 2500 2500	3200 3600 4100 4600	3000 3000 3000 2920	3500 3500 3500 3410	2960 2950 2940 2850	3440 3430 3420 3330
Vista 2-Stage full free lift	3400	2200	2500	2500	2200	2500	2500	3205	3000	3500	2960	3440
Vista 3-Stage full free lift	4950 5550 6000	2200 2110 2020	2440 2310 2210	2500 2410 2310	2180 2070 1980	2400 2250 2150	2500 2380 2290	4610 4910 5210 5810	2970 2900 2840 2690	3460 3400 3320 - 3170 -	2900 2830 2760 2600	3370 3300 3220 - 3060 -

J2.2-3.5XN - capacity chart in kg @ 600 mm load centres

	Maximum fork height ◁ (mm) (h ₃ + s)	Pneumatic Shaped Solid Tyres										
		WITHOUT sideshift			WITH integral sideshift			Maximum fork height ◁ (mm) (h ₃ + s)	WITHOUT sideshift		WITH integral sideshift	
		J2.2XN 717 □	J2.5XN 717 □	J2.5XN 861 □	J2.2XN 717 □	J2.5XN 717 □	J2.5XN 861 □		J3.0XN 861 □	J3.5XN 861 □	J3.0XN 861 □	J3.5XN 861 □
Vista 2-Stage limited free lift	3390 3790 4330 4830	2000 2000 2000 2000	2270 2270 2270 2250	2270 2270 2270 2270	2000 2000 1990 1980	2250 2250 2240 2210	2270 2270 2270 2270	3200 3600 4100 4600	2720 2720 2720 2650	3130 3130 3130 3090	2680 2670 2660 2580	3110 3100 3090 3010
Vista 2-Stage full free lift	3400	2000	2270	2270	2000	2260	2270	3205	2720	3130	2680	3110
Vista 3-Stage full free lift	4950 5550 6000	2000 1920 1830	2210 2100 2000	2270 2190 2100	1970 1870 1790	2170 2030 1940	2250 2150 2070	4610 4910 5210 5810	2690 2630 2570 2440	3130 3080 3010 - 2870 -	2620 2560 2500 2350	3050 2980 2920 - 2760 -

NOTE: To calculate truck capacities with alternative truck specifications to the ones shown in the above tables, please consult your Hyster dealer. The rated capacities shown are for masts in a vertical position on trucks equipped with standard or sideshift carriage and nominal length forks. Masts above the maximum fork heights shown in the mast table are classified as high lift and, depending on the tyre/tread configuration may require reduced capacity, restricted back tilt or wide tread.

PRODUCT FEATURES

The Hyster J2.2-3.5XN series is available in 2 configurations – Advance & Advance+.

With enhanced performance characteristics, the Advance+ configuration has been designed to operate in intensive, high productivity applications with long runs and high lifts as an effective alternative to an engine-powered truck.

For example, in comparison to the Advance configuration, top speed (laden) has been increased to up to 21 km/h with faster acceleration and lifting speeds have been increased by 27%.

DEPENDABILITY

- Redesigned mast incorporates new chain placement and hose routings that maximise fork visibility for the driver and reliable, high performance lifting.
- AC motor technology on traction and hoist, with built in thermal management system, allows the truck to work reliably over long runs and in demanding work cycles, reducing downtime significantly.
- The electrical system features a CANbus communications network and Hall Effect sensors for increased reliability.
- IP54 enclosed traction motors and IP65 protection of controls and all electrical connections prevents ingress of water and dust particles, reducing the probability of truck downtime.
- The TouchPoint™ mini-lever module armrest with built in hydraulic controls, integrated directional control, emergency off switch and horn offers the ultimate in comfort and control. Alternatively, seat-side manual levers also provide handling ease.
- A 'Heads-up' display keeps the driver's field of vision clear but provides him with 'at a glance' information on truck operating conditions or performance settings.
- A choice of weather protection options promotes a comfortable working environment, whatever the conditions.

PRODUCTIVITY

- Dual 10 kW AC front wheel traction motors deliver smooth acceleration, fast travel and rapid direction changes. This is combined with regenerative braking and a powerful hoist motor to deliver efficient load handling in the toughest of applications.
- Designed to offer excellent manoeuvrability in working aisles, speeding up throughput, the truck features a slim counterweight, Zero Turn Radius (ZTR) steer axle and dual drive motors.
- The maintenance-free mechanical Hyster Stability Mechanism (HSM) reduces truck lean when travelling over obstacles, increasing driver confidence and productivity.
- Extended battery shift life with choice of battery configurations and new horizontal battery extraction options fitted with fork pockets and removable side panels, manages energy efficiently.

ERGONOMICS

- The ergonomically designed operator compartment provides a comfortable and highly productive environment for the driver.
- The fully adjustable tilt steering column with telescopic adjustment, memory tilt and synchronised steering options allows the operator to get on and off the truck quickly and easily throughout the shift, ensuring maximum comfort and increased productivity.

LOW COST OF OWNERSHIP

- The Vehicle System Manager (VSM) allows adjustment of truck performance parameters and monitors key functions, leading to application matched performance and minimum downtime.
- Durable, quality components, including virtually maintenance free oil immersed brakes and brushless AC motors offer long term reliability and lower maintenance costs.
- In-built thermal protection on traction motors and advanced cooling system protect truck components, leading to reduced maintenance costs.
- New horizontal battery extraction options fitted with fork pockets and removable side panels providing easy battery extraction. Hyster offers a battery change system to suit the infrastructure available at the application site.

SERVICEABILITY

- Standard 1 000 hour service interval.
- Access to diagnostic information via dash display with or plug-in port and laptop. This functionality saves technician time when setting up multiple items.
- Easily removable two-piece floor plate provides easy access to power contactor, traction controller fuses and relays.
- Motor, pump, controller and oil tank are located in the counterweight and are easily accessible, requiring only 2 thumb screws to be removed.
- LED master, indicator, brake and back-up lights are designed to last the lifetime of the truck.

STRONG PARTNERS. TOUGH TRUCKS.™

FOR DEMANDING OPERATIONS, EVERYWHERE.

Hyster supplies a complete range of warehouse equipment, IC and electric counterbalanced trucks, container handlers and reach stackers. Hyster is committed to being much more than a lift truck supplier.

Our aim is to offer a complete partnership capable of responding to the full spectrum of material handling issues: Whether you need professional consultancy on your fleet management, fully qualified service support, or reliable parts supply, you can depend on Hyster.

Our network of highly trained dealers provides expert, responsive local support. They can offer cost-effective finance packages and introduce effectively managed maintenance programmes to ensure that you get the best possible value. Our business is dealing with your material handling needs so you can focus on the success of your business today and in the future.



HYSTER EUROPE

Centennial House, Frimley Business Park, Frimley, Surrey, GU16 7SG, England.

Tel: +44 (0) 1276 538500



www.hyster.eu



infoeurope@hyster.com



[/HysterEurope](https://www.facebook.com/HysterEurope)




[@HysterEurope](https://twitter.com/HysterEurope)




[/HysterEurope](https://www.youtube.com/HysterEurope)



HYSTER-YALE UK LIMITED trading as Hyster Europe. Registered Address: Centennial House, Building 4.5, Frimley Business Park, Frimley, Surrey, GU16 7SG, United Kingdom. Registered in England and Wales. Company Registration Number: 02636775.

HYSTER,  and FORTENS are registered trademarks in the European Union and certain other jurisdictions.

MONOTROL® is a registered trademark, and DURAMATCH and  are trademarks in the United States and in certain other jurisdictions.

Hyster products are subject to change without notice. Lift trucks illustrated may feature optional equipment.