



**STRONG PARTNERS.
TOUGH TRUCKS.™**



HIGH CAPACITY FORKLIFT TRUCKS

H8-12XM-6

8 000 – 12 000 KG @ 600MM



MAST AND CAPACITY INFORMATION

H8-9XM-6 RATED CAPACITY KG @ 600 MM LOAD CENTRE

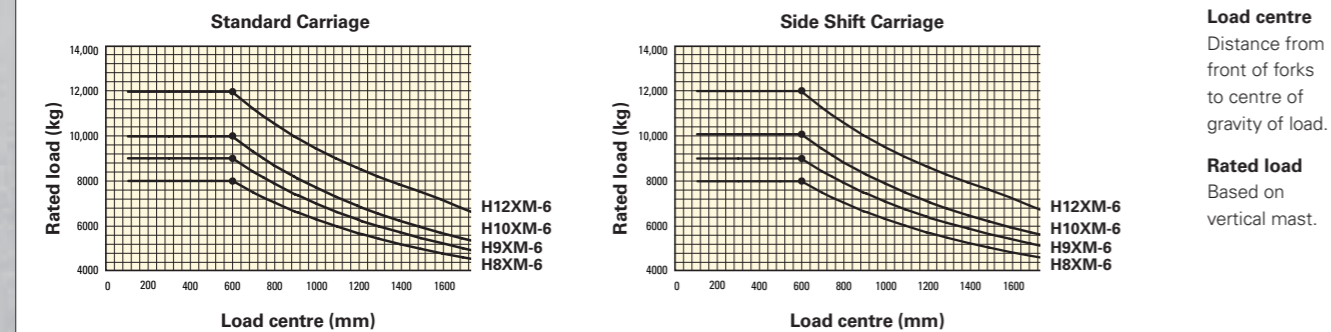
	Lift height $h_3 + s$ (mm)	Lowered height h_1 (mm)	Free lift height $h_2 + s$ (mm)	Overall extended height h_4 (mm)	Without Sideshift (kg)		With Sideshift (kg)	
					H8XM-6	H9XM-6	H8XM-6	H9XM-6
2 Stage NFL	3761	3329 ★	-	5172 ★	8 500	9 600	8 000	9 000
	4661	3779 ★	-	6072 ★	8 500	9 600	8 000	9 000
	5411	4155 ★	-	6822 ★	8 500	9 600	8 000	9 000
3 Stage FFL	5600	3021 ★	1411	7006 ★	7 260	8 160	7020	7900
	6000	3154 ★	1544	7406 ★	7 120	8 000	6880	7760
	6500	3321 ★	1711	7906 ★	6 940	7 820	6720	7580
	7000	3487 ★	1877	8406 ★	6 740	7 620	6520	7380

H10-12XM(S)-6 RATED CAPACITY KG @ 600 MM LOAD CENTRE

	Lift height $h_3 + s$ (mm)	Lowered height h_1 (mm)	Free lift height $h_2 + s$ (mm)	Overall extended height h_4 (mm)	Without Sideshift (kg)			With Sideshift (kg)		
					H10XM-6	H10XMS-6	H12XM-6	H10XM-6	H10XMS-6	H12XM-6
2 Stage NFL	3761	3628	-	5471	10 600	10 600	12 700	10 000	10 000	12 000
	4661	4078	-	6371	10 600	10 600	12 700	10 000	10 000	12 000
	5411	4453	-	7121	10 600	10 600	12 700	10 000	10 000	12 000
	6205	4853	-	7918	10 600	10 600	12 700	10 000	10 000	12 000
	6705	5103	-	8418	10 400	10 400	12 240	9 700	9 700	11 700
3 Stage FFL	5600	3045	1436	7030	10 060	9 440	11 240	9 180	9 180	11 460
	6000	3178	1570	7430	9 900	9 300	11 240	9 020	9 020	11 300
	6500	3345	1735	7930	9 680	9 100	11 020	8 840	8 840	11 080
	7000	3511	1900	8430	9 640	8 880	10 780	8 620	8 620	10 780

Standard 2-stage NFL mast main VDI table

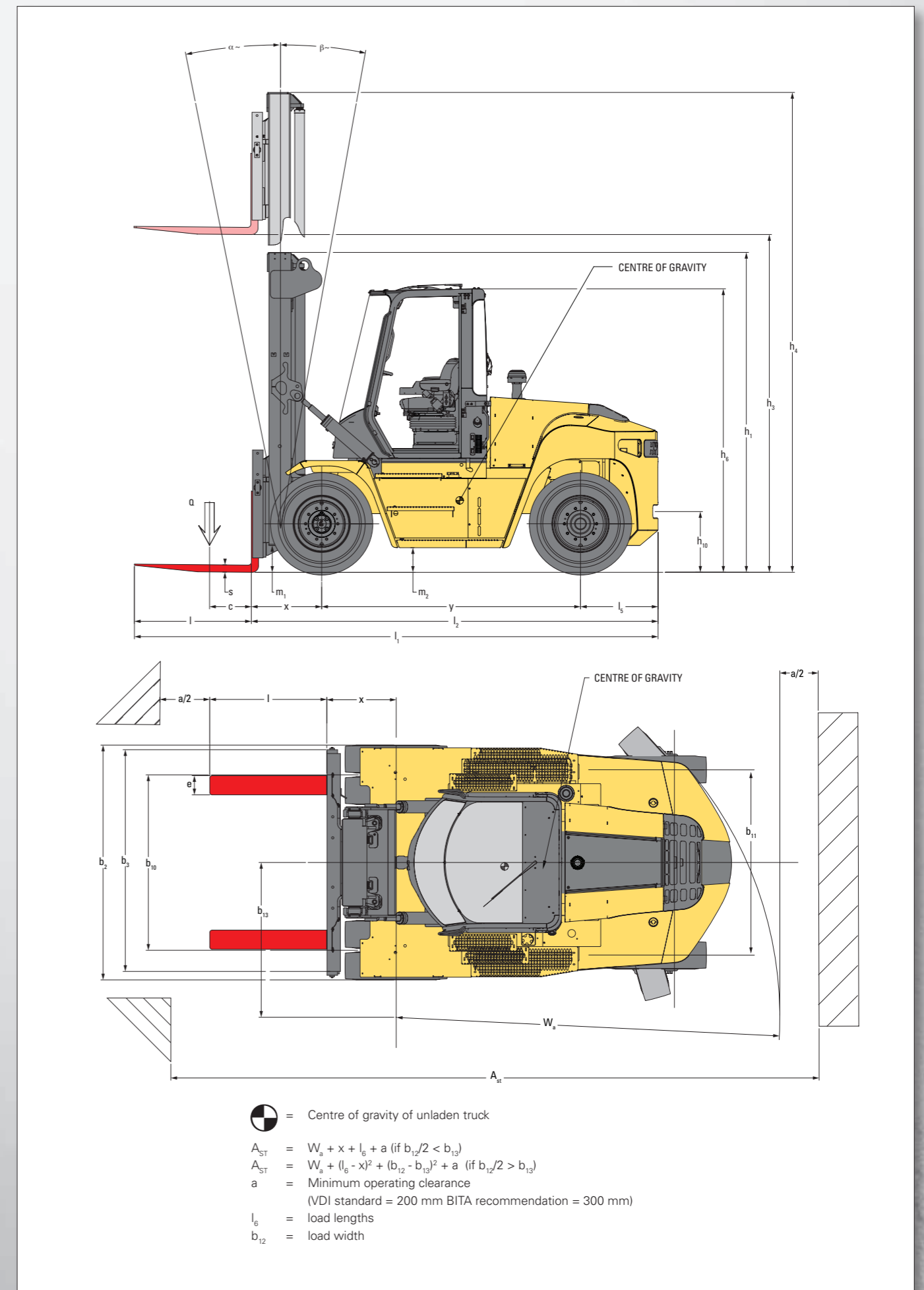
RATED CAPACITIES



POWERTRAINS

DISTINGUISHING MARKS	1.1	Manufacturer (abbreviation)	HYSTER
1.2	Manufacturer's type designation	H8-12XM-6	
1.3	Drive: electric (battery or mains), diesel, petrol, fuel gas	Diesel	
POWER UNIT	7.1	Engine manufacturer / type	Cummins QSB 4.5
7.2	Engine power according to ISO 1585	kW / min ⁻¹	119 2,300
7.2.1	Max. engine power according to ISO 1585	kW / min ⁻¹	122 2,200
7.3	Rated speed	min ⁻¹	2,300
7.3.1	Torque at 1/min	Nm / min ⁻¹	624 1,500
7.4	Number of cylinders / displacement	(-)/cm ³	4 4,500
7.8	Alternator	A	120
7.10	Battery voltage/nominal capacity	(V)/(Ah)	24 102
DRIVE TRAIN	8.1	Type of drive unit	Torque Converter
8.2	Transmission manufacturer / type	ZF 3 WG 161	
8.6	Wheel drive / drive axle manufacturer / type	Axle Tech PRC 485	
8.11	Service brake	Oil immersed disc	
8.12	Parking brake	Dry disc on drive axle	

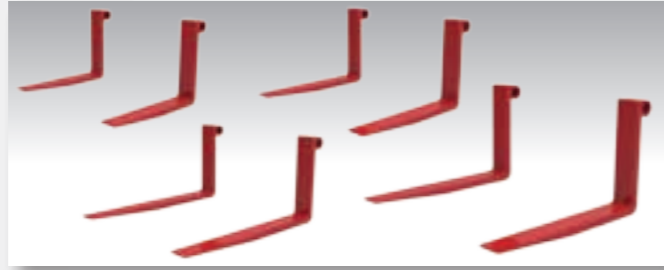
TRUCK DIMENSIONS



FRONT END EQUIPMENT



Range of 2 stage NFL masts



Range of Pin type forks



Standard 2.350 mm Pin type carriage



2.350 mm Pin Type carriage Fork Positioner – Independent and Simultaneous Fork Control



2.350 mm Apron Pin Type Side shift carriage



2.350 mm Apron Pin Type Side shift carriage with Fork Positioner – Independent and Simultaneous Fork Control

STANDARD EQUIPMENT

- Cummins QSB 4.5 119 kW / max 122 kW @ 2.300 - 2.200 rpm Turbo Diesel Engine
 - Stage IV Compliant
 - ECO-eLo / HiP performance modes
 - Hibernate Idle
 - Cooling fan with fan clutch
- ZF WG 161 3 speed Hydrodynamic Transmission
- 2-Stage NFL Mast with maximum fork height of 3750mm
- Standard 2.350 mm Pin type carriage
- Oil-immersed Brakes
- SAUER-DANFOSS dual piston variable displacement pump 105 ccm (60 + 45 ccm)
- Axle Tech PRC 485 Drive axle with oil-immersed disc brake system
- Up to 3-way hydraulic controls with Levers and Switches combination
- Mast Tilt: 15° Forward / 12° Back
- Directional Control Lever
- Overhead Guard Featuring:
 - Seat-Side Hydraulic Control
 - Multifunction Display Panel
 - Interior Wide Angle Mirrors
 - Telescoping & Tilting Steering Column
 - Floor Mat
 - Isolated Mounting for Low Noise and Vibration
 - Handrails for Operator entry and exit

- Tyres – Drive and Steer
 - 9.00-20 14PR Standard pneumatic (H8-9XM)
 - 10.00-20 16PR Standard pneumatic (H10-12XM)
- Steering Wheel with Spinner Knob
- Electric Horn
- Mechanical, Full Suspension Vinyl or Cloth Seat with integrated adjustable armrest and orange Hi-Vis seat belt
- Air Intake with Sy-Klone pre cleaner
- Low-mount Exhaust
- 24V Electrical System
- 120 Amp Alternator
- Manual Tilt Operator Compartment for Service Access
- Light Kit 2:
 - LED rear cluster with stop, reverse and direction light
 - 2 x Halogen working lights mounted on mast
 - 2 x Halogen drive lights, 2 LED direction / marker lights mounted on front fender
 - 2 x Halogen working lights mounted rear of the cab
- LED direction and position light with hazard function
- Non-locking Fuel Cap
- Literature Package
 - Operator's Manual
- Warranty
 - 12 Months / 2,000 Hours Manufacturer's Warranty

OPTIONAL EQUIPMENT

- 2-Stage NFL Masts with maximum fork heights up to 6700mm
- 2-Stage FFL Masts with maximum fork heights up to 7000mm (SPED)
- 3-Stage FFL Masts with maximum fork heights up to 7000mm
- Carriages for 2 Stage NFL, 2Stage FFL and 3 stage FFL masts
 - 2.350 mm Pin Type carriage Fork Positioner – Simultaneous Fork Control
 - 2.350 mm Pin Type carriage Fork Positioner – Individual Fork Control
 - 2.350 mm Apron Pin Type Side shift carriage
 - 2.350 mm Apron Pin Type Side shift carriage with Fork Positioner – Simultaneous Fork Control
 - 2.350 mm Apron Pin Type Side shift carriage with Fork Positioner – Individual Fork Control
- Up to 6-way hydraulic controls with 4 levers 2 switches combination, with and without clamp function
- Hydraulic Control 5 function Joystick
- Mast Tilt:
 - 20.5° Forward / 7° Back
 - 5° Forward / 12° Back
- MONOTROL™ Pedal
- Tyres – Drive and Steer
 - 9.00-R20 MICHELIN radial
 - 9.00-20 Trelleborg Elite XP solids
 - 10.00-20 16PR Standard pneumatic
 - 10.00-R20 Michelin radial
 - 10.00-20 Trelleborg Elite XP solids
 - 10.00-R20 Trelleborg radial
- Front and Rear Mud Flaps
- Steer Wheel Nut Protection
- Enclosed Cab with or without Air Conditioning includes:
 - Seat-Side Hydraulic Control Levers
 - Multifunction Display Panel
 - Interior Wide Angle Mirrors
 - Telescoping & Tilting Steering Column
 - I-style Front screen Wiper
 - Floor Mat
 - Top & Rear Wipers
 - Heater
 - Re-circulation Fan
- Enclosed Cab options
 - Top and rear sun shades
 - Temperature controller
 - Air conditioner, manual controlled
 - Air conditioner, automatically controlled
 - High Performance Air conditioner, manual controlled
 - High Performance Air conditioner, automatically controlled
 - Reading light
 - Trainer seat
 - IT console for on-board computer
 - Storage console
 - Heated top window
 - H-style Front screen Wiper
 - 24-12V DC/DC Converter
 - Engine start interlock
 - Radio preparation, inclusive wire, two speakers and antenna
 - Rain top for OHG
 - Wire mesh protection guard on Top of cab
 - External Mirror right and left
- Seats
 - Mechanical, Full Suspension High backrest Vinyl or Cloth Seat
 - Pneumatic, Full Suspension Vinyl or Cloth Seat
 - Pneumatic, Full Suspension High backrest Vinyl or Cloth Seat
 - Deluxe Air Suspended Full Suspension Cloth Seat
 - Heated Deluxe Air Suspended Full Suspension Cloth Seat
- 3-point seat belt for Deluxe Seat
- Powered Tilt Operator Compartment
- Lockable Battery Disconnect Switch
- High-mount exhaust
- SAUER-DANFOSS dual piston variable displacement pump 120 ccm (60 + 60 ccm)
- Various Light Kits
- Battery master switch, lockable
- Amber strobe light - Ignition key and switch activated
- Self-adjustable back up Alarm volume > 5dB(A) ambient
- Hydraulic Accumulator
- Lockable diesel fuel cap
- Lifting eye shackles
- Engine Block Heater (230V)
- Traction Speed Limiter
- Automatic Engine Shutdown
- Hydraulic temperature protection
- Pressure compensated lowering
- Hyster Tracker Wireless Asset Management system

Other options available through Special Products Engineering Development (SPED). Contact Hyster for details.

STRONG PARTNERS. TOUGH TRUCKS.™

FOR DEMANDING OPERATIONS, EVERYWHERE.

Hyster supplies a complete range of warehouse equipment, IC and electric counterbalanced trucks, container handlers and reach stackers. Hyster is committed to being much more than a lift truck supplier.

Our aim is to offer a complete partnership capable of responding to the full spectrum of material handling issues: Whether you need professional consultancy on your fleet management, fully qualified service support, or reliable parts supply, you can depend on Hyster.

Our network of highly trained dealers provides expert, responsive local support. They can offer cost-effective finance packages and introduce effectively managed maintenance programmes to ensure that you get the best possible value. Our business is dealing with your material handling needs so you can focus on the success of your business today and in the future.



HYSTER EUROPE

Centennial House, Frimley Business Park, Frimley, Surrey, GU16 7SG, England.


Tel: +44 (0) 1276 538500




 www.hyster.eu  infoeurope@hyster.com  [/HysterEurope](https://www.facebook.com/HysterEurope)  [@HysterEurope](https://twitter.com/HysterEurope)  [/HysterEurope](https://www.youtube.com/HysterEurope)  www.hyster-bigtrucks.com

HYSTER-YALE UK LIMITED trading as Hyster Europe. Registered Address: Centennial House, Building 4.5, Frimley Business Park, Frimley, Surrey, GU16 7SG, United Kingdom.

Registered in England and Wales. Company Registration Number: 02636775.

HYSTER,  and FORTENS are registered trademarks in the European Union and certain other jurisdictions.

MONOTROL® is a registered trademark, and DURAMATCH and  are trademarks in the United States and in certain other jurisdictions.

Hyster products are subject to change without notice. Lift trucks illustrated may feature optional equipment.