



**STRONG PARTNERS.
TOUGH TRUCKS.™**



HIGH CAPACITY FORKLIFT TRUCKS

H13-16XM-6



13 000 – 16 000 KG @ 600 MM

H13-16XM-6

DISTINGUISHING MARKS	1.1	Manufacturer	
	1.2	Manufacturer's type designation	
	1.3	Drive: electric (battery or mains), diesel, petrol, fuel gas	
	1.4	Operator type: hand, pedestrian, standing, seated, orderpicker	
	1.5	Rated capacity / rated load	Q (t)
	1.6	Load centre distance	c (mm)
	1.8	Load distance, centre of drive axle to fork	x (mm)
	1.9	Wheelbase	y (mm)

WEIGHTS	2.1	Service weight ◊	kg
	2.2	Axle loading, laden front / rear	kg
	2.3	Axle loading, unladen front / rear	kg

TYRES & CHASSIS	3.1	Tyres: L = pneumatic, V = solid, SE = pneumatic-shaped solid	
	3.2	Tyre size, front	
	3.3	Tyre size, rear	
	3.5	Wheels, number front / rear (x = driven wheels)	
	3.6	Tread, front	b ₁₀ (mm)
	3.7	Tread, rear	b ₁₁ (mm)

DIMENSIONS	4.1	Tilt of mast/fork carriage forward/backward	α / β (°)
	4.2	Height, mast lowered †	h ₁ (mm)
	4.3	Free lift	h ₂ (mm)
	4.4	Lift †	h ₃ (mm)
	4.5	Height, mast extended	h ₄ (mm)
	4.7	Height of overhead guard ■	h ₅ (mm)
	4.7.1	Height of closed cabin without / with aircon	h ₆ (mm)
	4.7.2	Height of closed cabin with strobe light	h ₆ (mm)
	4.7.3	Height of closed cab with work lights	h ₆ (mm)
	4.7.4	Height of closed cab with aircon & strobe light	h ₆ (mm)
	4.8	Seat height relating to SIP ●	h ₇ (mm)
	4.12	Coupling height	h ₁₀ (mm)
	4.17	Overhang	l ₁ (mm)
	4.19	Overall length	l ₂ (mm)
	4.20	Length to face of forks	l ₃ (mm)
	4.21	Overall width across all	b ₁ (mm)
	4.22	Fork dimensions ISO 2331	s/e/l (mm)
	4.23	Fork carriage type	
	4.24	Fork carriage width ●	b ₂ (mm)
	4.25	Distance over fork arms, minimum / maximum ✓	b ₃ (mm)
	4.30	Sideshift @ width over forks	b ₄ / b ₅ (mm)
	4.31	Ground clearance, laden, below mast	m ₁ (mm)
	4.32	Ground clearance, centre of wheelbase	m ₂ (mm)
	4.33.1	Load dimension b ₁₂ × l ₄ crossways	b ₁₂ × l ₄ (mm)
	4.34.1.1	Aisle width for pallets 1200 × 1200 crossways without operating clearance	A ₁ (mm)
	4.34.1.2	Aisle width for pallets 1200 × 1200 crossways with 200 mm operating clearance ◆	A ₂ (mm)
	4.34.1.3	Aisle width for pallets 1200 × 1200 crossways with 10% operating clearance	A ₃ (mm)
	4.33.2	Load dimension b ₁₂ × l ₄ crossways	b ₁₂ × l ₄ (mm)
	4.34.2.1	Aisle width for pallets 1200 × 800 crossways without operating clearance	A ₄ (mm)
	4.34.2.2	Aisle width for pallets 1200 × 800 crossways with 200 mm operating clearance ◆	A ₅ (mm)
	4.34.2.3	Aisle width for pallets 1200 × 800 crossways with 10% operating clearance	A ₆ (mm)
	4.35	Turning radius	W ₁ (mm)
	4.36	Internal turning radius ◎	b ₁₃ (mm)

PERFORMANCE DATA	5.1	Travel speed, laden / unladen *	km/h
	5.2	Lift speed, laden / unladen	m/s
	5.3	Lowering speed, laden / unladen	m/s
	5.5	Drawbar pull, laden / unladen ☞	kN
	5.6	Maximum drawbar pull, laden / unladen	kN
	5.7	Gradeability, laden / unladen † ☞	%
	5.7	Gradeability, laden / unladen ◊	%
5.9	Acceleration time, laden/unladen	s	

7.5	Fuel consumption according VDI cycle	l/h or kg/h
-----	--------------------------------------	-------------

ADDITIONAL DATA	10.1	Working pressure for attachments	Mpa
	10.2	Oil volume for attachments	l/min
	10.3	Hydraulic oil tank, capacity	l
	10.4	Fuel tank, capacity	l
	10.4.1	DEF tank, capacity	l
	10.5	Steering design	
	10.6	Number of steering rotation	
	10.7	Sound pressure level at the driver's seat L _{PAZ} * □	dB (A)
10.7.1	Sound power level during the workcycle L _{WAZ} * □	dB (A)	
10.8	Towing coupling, type DIN		

HYSTER		HYSTER	
H13XM-6		H14XM-6	
Diesel		Diesel	
Seated		Seated	
13.0	14.0	13.0	14.0
600	600	600	600
891	891	891	891
3,300	3,300	3,300	3,300

18,481	19,116	18,481	19,116
29,331	2,150	30,768	2,348
10,458	8,024	10,443	8,673

L		L	
12.00-20 20PR		12.00-20 20PR	
12.00-20 20PR		12.00-20 20PR	
4X	2	4X	2
1,900	1,900	1,900	1,900
2,000	2,000	2,000	2,000

15	12	15	12		
4,466	4,466	4,466	4,466		
-	-	-	-		
5,310	5,310	5,310	5,310		
7,121	7,121	7,121	7,121		
3,053	3,053	3,053	3,053		
3,089	3,122	3,089	3,122		
3,221	3,221	3,221	3,221		
3,280	3,280	3,280	3,280		
3,295	3,295	3,295	3,295		
1,791	1,791	1,791	1,791		
717	717	717	717		
809	809	809	809		
6,370	6,370	6,370	6,370		
5,000	5,000	5,000	5,000		
2,599	2,599	2,599	2,599		
90	200	1,370	90	200	1,370
Apron pin (85 mm) type side shift		Apron pin (85 mm) type side shift			
2,500		2,500			
470	2,420	470	2,420		
205	205	205	205		
178	178	178	178		
341	341	341	341		
1,200	1,200	1,200	1,200		
6,675	6,675	6,675	6,675		
6,875	6,875	6,875	6,875		
7,343	7,343	7,343	7,343		
1,200	800	1,200	800		
6,275	6,275	6,275	6,275		
6,475	6,475	6,475	6,475		
6,903	6,903	6,903	6,903		
4,584	4,584	4,584	4,584		
1,890	1,890	1,890	1,890		

26.6	28.1	26.6	28.1
0.36	0.41	0.36	0.41
0.50	0.48	0.50	0.48
112	114	112	114
125	127	125	127
39	38	36	36
44	38	41	36
6.1	5.3	6.2	5.4

☞	☞	7.5
---	---	-----

19.5	19.5	19.5	19.5
100	100	100	100
140	140	140	140
158	158	158	158
19	19	19	19
Hydraulic power steering		Hydraulic power steering	
3.7	3.7	3.7	3.7
72.8	72.8	72.8	72.8
108.5	108.5	108.5	108.5
Yes	Pin	Yes	Pin

HYSTER		HYSTER		DISTINGUISHING MARKS
H10XM-12		H16XM-6		
Diesel		Diesel		
Seated		Seated		
10.0	16.0	10.0	16.0	
1,200	600	1,200	600	
891	891	891	891	
3,300	3,300	3,300	3,300	

19,376	20,171	19,376	20,171
27,234	2,142	33,649	2,523
10,898	8,478	10,420	9,752

L		L		TYRES & CHASSIS
12.00-20 20PR		12.00-20 20PR		
12.00-20 20PR		12.00-20 20PR		
4x	2	4x	2	
1,900	1,900	1,900	1,900	
2,000	2,000	2,000	2,000	

15	12	15	12	4.1		
4,466	4,466	4,466	4,466	4.2		
-	-	-	-	4.3		
5,310	5,310	5,310	5,310	4.4		
7,121	7,121	7,121	7,121	4.5		
3,053	3,053	3,053	3,053	4.7		
3,089	3,122	3,089	3,122	4.7.1		
3,221	3,221	3,221	3,221	4.7.2		
3,280	3,280	3,280	3,280	4.7.3		
3,295	3,295	3,295	3,295	4.7.3		
1,791	1,791	1,791	1,791	4.8		
717	717	717	717	4.12		
809	809	809	809	4.17		
7,440	6,220	6,220	6,220	4.19		
5,000	5,000	5,000	5,000	4.20		
2,599	2,599	2,599	2,599	4.21		
90	200	2,440	90	200	1,370	4.22
Apron pin (85 mm) type side shift		Apron pin (85 mm) type side shift		4.23		
2,500		2,500		4.24		
470	2,420	470	2,420	4.25		
205	205	205	205	4.30		
178	178	178	178	4.31		
341	341	341	341	4.32		
2,400	2,400	1,200	1,200	4.33.1		
7,075	6,675	6,675	6,675	4.34.1.1		
8,075	6,875	6,875	6,875	4.34.1.2		
8,663	7,343	7,343	7,343	4.34.1.3		
1,930	1,830	1,200	800	4.33.2		
7,305	6,275	6,275	6,275	4.34.2.1		
7,505	6,475	6,475	6,475	4.34.2.2		
8,036	6,903	6,903	6,903	4.34.2.3		
4,584	4,584	4,584	4,584	4.35		
1,890	1,890	1,890	1,890	4.36		

26.6	28.1	26.6	28.1	5.1
0.36	0.41	0.36	0.41	5.2
0.50	0.48	0.50	0.48	5.3
113	114	111	114	5.5
126	127	124	127	5.6
42	38	33	34	5.7
48	38	37	34	5.7
6.3	5.5	6.3	5.5	5.7

☞	☞	7.5
---	---	-----

19.5	19.5	19.5	19.5	10.1
100	100	100	100	10.2
140	140	140	140	10.3
158	158	158	158	10.4
19	19	19	19	10.4.1
Hydraulic power steering		Hydraulic power steering		10.5
3.7	3.7	3.7	3.7	10.6
72.8	72.8	72.8	72.8	10.7
108.5	108.5	108.5	108.5	10.7.1
Yes	Pin	Yes	Pin	10.8

NOTE:
Specifications are affected by the condition of the vehicle and how it is equipped, as well as the nature and condition of the operating area. Inform your dealer of the nature and condition of the intended operating area when purchasing your Hyster Truck.

- ◊ Weights are based on the following specifications: Complete truck with cab, pneumatic tyres, mast, carriage and forks.
- † Unladen with new tyres
- ¶ Bottom of forks
- +/- 3% tolerance depend on tyre inflated pressure / or tyre brand.
- Full suspension seat in depressed position.
- Add 50 mm with load backrest
- ✓ Optional equipment
- ◆ Stacking aisle width is based on the VDI standard calculation as shown on illustration. The British Industrial Truck Association recommends the addition of 100 mm to the total clearance (dimension a) for extra operating margin at the rear of truck.
- ◎ Distance centre truck to centre of internal turning radius.
- * Travel speed laden/unladen limited at 25 km/h as factory default.
- † Gradeability figures are provided for comparison of tractive performance, but are not intended to endorse the operation of vehicle on the stated inclines. Follow instructions in the operating manual regarding operation on inclines.
- ☞ At 1.6 km/h
- ◇ At stall
- * Measured according to the test cycles and based on the weighted values contained in EN12053.
- Engine data based on low mount exhaust.
- ☎ Data available on request, as values are dependent on application.

NOTE:
Care must be exercised when handling elevated loads. When the carriage and/or load is elevated, truck stability is reduced. It is important that the mast tilt in either direction is kept to a minimum when loads are elevated.

Operators must be trained and must read, understand and follow the instructions contained in the Operating Manual. All values are nominal values and they are subject to tolerances. For further information, please contact the manufacturer.

Hyster products are subject to change without notice.

Lift trucks illustrated may feature optional equipment. Values may vary with alternative configurations.

CE Safety:

This truck conforms to the current EU requirements.

Specification data is based on VDI 2198.

EQUIPMENT AND WEIGHT: Weights and axle loadings (lines 2.1, 2.2, 2.3) are based on the following specifications: H13-16XM-6: Complete truck with open operator compartment module, with 5336 mm BOF (5400 mm TOF) 2-stage NFL mast, 2500 mm wide Integral Sideshift carriage and 1370 mm long forks.

(Note: Truck weight with open operator module instead of fully equipped cab is 400 kg less. For axle loadings with fully equipped cab: Add 50 kg to the rear axle loadings and add 350 kg to the front axle loadings.)

MAST AND CAPACITY INFORMATION

H13-16XM-6 RATED CAPACITY KG @ 600 MM LOAD CENTRE

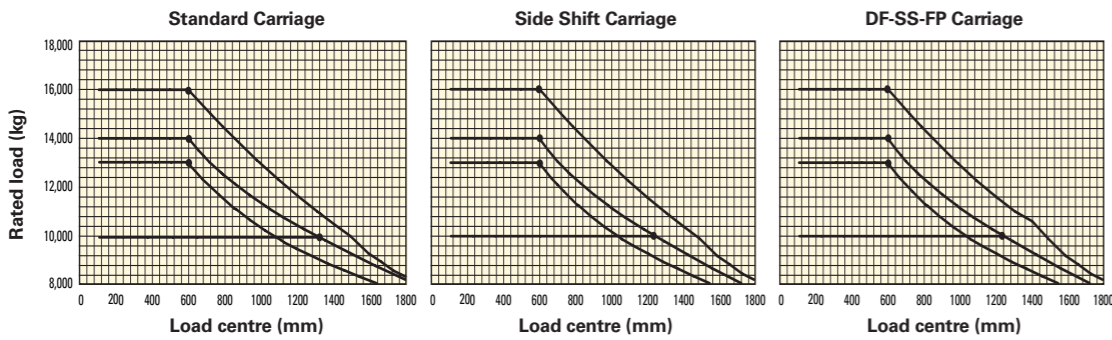
	Lift height $h_2 + s$ (mm)	Lowered height h_1 (mm)	Free lift height $h_2 + s$ (mm)	Extended height h_4 (mm)	Without Sideshift (kg)			With Sideshift (kg)		
					H13XM-6	H14XM-6	H16XM-6	H13XM-6	H14XM-6	H16XM-6
2 Stage NFL	3750	3641	-	5470	13 500	14 500	16 400	13 000	14 000	16 000
	4650	4091	-	6370	13 500	14 500	16 400	13 000	14 000	16 000
	5400	4466	-	7120	13 500	14 500	16 400	13 000	14 000	16 000
	6200	4866	-	7920	13 500	14 500	16 400	13 000	14 000	16 000
	6700	5116	-	8420	13 280	14 280	16 180	12 760	13 760	15 740
3 Stage FFL	4400	3070	1390	6080	12 860	13 780	15 680	12 040	12 920	14 720
	5000	3270	1590	6680	12 800	13 720	15 600	11 980	12 860	14 660
	6000	3600	1920	7680	12 420	13 320	15 200	11 620	12 480	14 260
	7000	3940	2250	8680	11 840	12 740	14 600	11 080	11 940	13 700

H10XM-12 RATED CAPACITY KG @ 1200 MM LOAD CENTRE

	Lift height $h_2 + s$ (mm)	Lowered height h_1 (mm)	Free lift height $h_2 + s$ (mm)	Extended height h_4 (mm)	Without Sideshift (kg)	With Sideshift (kg)
					H10XM-12	H10XM-12
2 Stage NFL	3750	3641	-	5470	10 200	10000
	4650	4091	-	6370	10 200	10000
	5400	4466	-	7120	10 200	10000
	6200	4866	-	7920	10 200	10000
	6700	5116	-	8420	10 040	9840
3 Stage FFL	4400	3070	1390	6080	9 840	9340
	5000	3270	1590	6680	9 800	9300
	6000	3600	1920	7680	9 520	9020
	7000	3940	2250	8680	9 100	8620

Standard 2-stage NFL mast main VDI table

RATED CAPACITIES



Load centre
Distance from front of forks to centre of gravity of load.

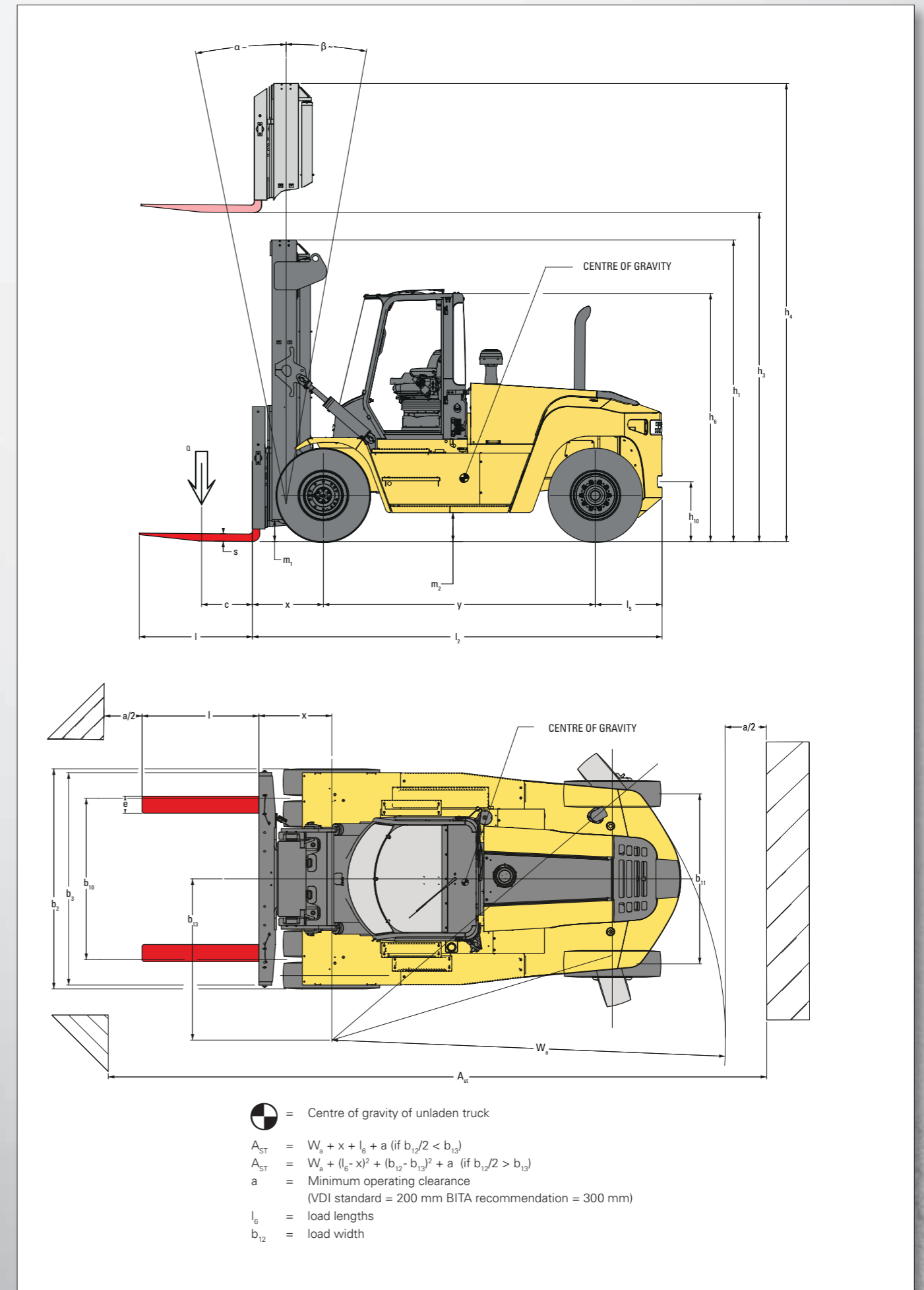
Rated load
Based on vertical mast.

H16XM-6
H14XM-6
H13XM-6
H10XM-12

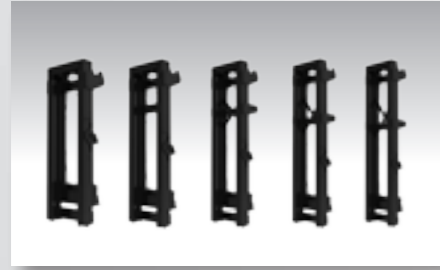
POWERTRAINS

DISTINGUISHING MARKS	1.1	Manufacturer (abbreviation)	HYSTER	
	1.2	Manufacturer's type designation	H13-16XM-6	
	1.3	Drive: electric (battery or mains), diesel, petrol, fuel gas	Diesel	
COMBUSTION ENGINE	7.1	Engine manufacturer / type	Cummins	QSB 6.7
	7.2	Engine power according to ISO 1585	122	2,300
	7.2.1	Max. engine power according to ISO 1585	125	2,100
	7.3	Rated speed	2,300	
	7.3.1	Torque at 1/min	732	1,500
	7.4	Number of cylinders / displacement	6	6,700
	7.8	Alternator	120	
7.10	Battery voltage / nominal capacity	24	102	
DRIVE TRAIN	8.1	Type of drive unit	Torque Converter	
	8.2	Transmission manufacturer / type	ZF	3 WG 161
	8.6	Wheel drive / drive axle manufacturer / type	Axle Tech	PRC 785
	8.11	Service brake	Oil immersed disc	
	8.12	Parking brake	Dry disc on drive axle	

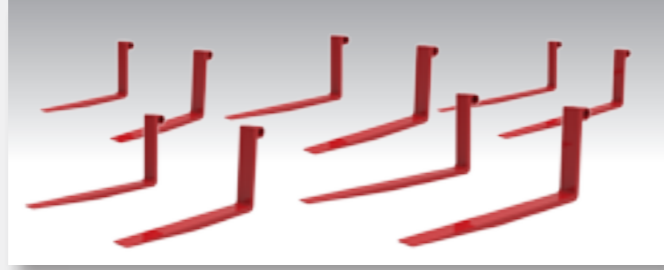
TRUCK DIMENSIONS



FRONT END EQUIPMENT



Range of 2 stage NFL masts



Pin type and Apron pin type forks



Standard 2.500 mm Pin type carriage



2.500 mm Pin Type carriage Fork Positioner – Simultaneous Fork Control



2.500 mm Pin Type carriage Fork Positioner – Individual Fork Control



2.500 mm Apron Pin Type Side shift carriage



2.500 mm Apron Pin Type Side shift carriage with Fork Positioner – Simultaneous Fork Control



2.500 mm Apron Pin Type Side shift carriage with Fork Positioner – Individual Fork Control

STANDARD EQUIPMENT

- Cummins QSB 6.7 122 kW / max 125 kW @ 2.300–2.100 rpm Turbo Diesel Engine
 - Stage IV Compliant
 - ECO-eLo / HiP performance modes
 - Hibernate Idle
 - Cooling fan with fan clutch
- ZFWG 161 3 speed Hydrodynamic Transmission
- 2-Stage NFL Mast with maximum fork height of 6700 mm
- Standard 2.500 mm Pin type carriage
- Oil-immersed Brakes
- SAUER-DANFOSS dual piston variable displacement pump 120 ccm (60 + 60 ccm)
- Axle Tech PRC 785 Drive axle with oil-immersed disc brake system
- Up to 3-way hydraulic controls with Levers and Switches combination
- Mast Tilt: 15° Forward / 12° Back
- Directional Control Lever
- Overhead Guard Featuring:
 - Seat-Side Hydraulic Control
 - Multifunction Display Panel
 - Interior Wide Angle Mirrors
 - Telescoping & Tilting Steering Column
 - Floor Mat
 - Isolated Mounting for Low Noise and Vibration
 - Handrails for Operator Entry and Exit
- Enclosed Cab without Air Conditioning featuring:
 - Seat-Side Hydraulic Control Levers
 - Multifunction Display Panel
 - Interior Wide Angle Mirrors
 - Telescoping & Tilting Steering Column
 - I-style Front screen Wiper
 - Floor Mat
 - 24–12 V DC/DC Converter
 - Top & Rear Wipers
 - Heater
 - Re-circulation Fan
- Tyres – Drive and Steer
 - 12.00-20 20PR Trelleborg T-900 pneumatics

STANDARD EQUIPMENT (cont.)

- Front and Rear Mud Flaps
- Steering Wheel with Spinner Knob
- Electric Horn
- Mechanical, Full Suspension Vinyl or Cloth Seat with integrated adjustable armrest and orange Hi-Vis seat belt
- Air Intake with Sy-Klone pre cleaner and Rain Cap
- High mount exhaust
- 24 V Electrical System
- 120 Amp Alternator

- Manual Tilt Operator Compartment for Service Access
- Light Kit 1:
 - LED rear cluster with stop, reverse and direction light
- LED direction and position light with hazard function
- Non-locking Fuel Cap
- Literature Package
 - Operator's Manual
- Warranty
 - 12 Months / 2,000 Hours Manufacturer's Warranty

OPTIONAL EQUIPMENT

- 2-Stage NFL Masts with maximum fork heights up to 6700 mm
- 2-Stage FFL Masts with maximum fork heights up to 7000 mm (SPED)
- 3-Stage FFL Masts with maximum fork heights up to 7000 mm
- Carriages for 2 Stage NFL, 2 Stage FFL and 3 stage FFL masts
 - 2.500 mm Pin Type carriage Fork Positioner – Simultaneous Fork Control
 - 2.500 mm Pin Type carriage Fork Positioner – Individual Fork Control
 - 2.500 mm Apron Pin Type Side shift carriage
 - 2.500 mm Apron Pin Type Side shift carriage with Fork Positioner – Simultaneous Fork Control
 - 2.500 mm Apron Pin Type Side shift carriage with Fork Positioner – Individual Fork Control
- Up to 6-way hydraulic controls with 4 levers 2 switches combination, with and without clamp function
- Hydraulic Control 5 function Joystick
- Mast Tilt:
 - 20.5° Forward / 7° Back
 - 5° Forward / 12° Back
- MONOTROL™ Pedal
- Tyres – Drive and Steer
 - 12.00-R20 MICHELIN XZM radial
 - 12.00-20 Trelleborg Elite XP solids
 - 12.00-R20 Trelleborg Radial pneumatics
- Steer Wheel Nut Protection
- Enclosed Cab with Air Conditioning includes:
 - Seat-Side Hydraulic Control Levers
 - Multifunction Display Panel
 - Interior Wide Angle Mirrors
 - Telescoping & Tilting Steering Column
 - I-style Front screen Wiper
 - Floor Mat
 - 24–12 V DC/DC Converter
 - Top & Rear Wipers
 - Heater
 - Re-circulation Fan
- Enclosed Cab options
 - Top and rear sun shades
 - H-style Front screen Wiper
 - Temperature controller

- Air conditioner, manual controlled
- Air conditioner, automatically controlled
- High Performance Air conditioner, manual controlled
- High Performance Air conditioner, automatically controlled
- Reading light
- Trainer seat
- IT console for on-board computer
- Storage console
- Heated top window
- Engine start interlock
- Radio preparation, inclusive wire, two speakers and antenna
- Rain top for OHG
- Wire mesh protection guard on Top of cab
- External Mirror right and left
- Seats
 - Mechanical, Full Suspension High backrest Vinyl or Cloth Seat
 - Pneumatic, Full Suspension Vinyl or Cloth Seat
 - Pneumatic, Full Suspension High backrest Vinyl or Cloth Seat
 - Deluxe Air Suspended Full Suspension Cloth Seat
 - Heated Deluxe Air Suspended Full Suspension Cloth Seat
- 3-point seat belt for Deluxe Seat
- High mount Air Intake
- Powered Tilt Operator Compartment
- Lockable Battery Disconnect Switch
- Low mount exhaust
- Various Light Kits
- Amber strobe light- Ignition key and switch activated
- Self-adjustable back up Alarm volume > 5dB(A) ambient
- Hydraulic Accumulator
- Lockable diesel fuel cap
- Lifting eye shackles
- Engine Block Heater (230V)
- Traction Speed Limiter
- Automatic Engine Shutdown
- Hydraulic temperature protection
- Pressure compensated lowering
- Hyster Tracker Wireless Asset Management system

Other options available through Special Products Engineering Development (SPED). Contact Hyster for details.

STRONG PARTNERS. TOUGH TRUCKS.™

FOR DEMANDING OPERATIONS, EVERYWHERE.

Hyster supplies a complete range of warehouse equipment, IC and electric counterbalanced trucks, container handlers and reach stackers. Hyster is committed to being much more than a lift truck supplier.

Our aim is to offer a complete partnership capable of responding to the full spectrum of material handling issues: Whether you need professional consultancy on your fleet management, fully qualified service support, or reliable parts supply, you can depend on Hyster.

Our network of highly trained dealers provides expert, responsive local support. They can offer cost-effective finance packages and introduce effectively managed maintenance programmes to ensure that you get the best possible value. Our business is dealing with your material handling needs so you can focus on the success of your business today and in the future.



HYSTER EUROPE

Centennial House, Frimley Business Park, Frimley, Surrey, GU16 7SG, England.


Tel: +44 (0) 1276 538500




www.hyster.eu infoeurope@hyster.com [/HysterEurope](https://www.facebook.com/HysterEurope) [@HysterEurope](https://twitter.com/HysterEurope) [/HysterEurope](https://www.youtube.com/HysterEurope) www.hyster-bigtrucks.com

HYSTER-YALE UK LIMITED trading as Hyster Europe. Registered Address: Centennial House, Building 4.5, Frimley Business Park, Frimley, Surrey GU16 7SG, United Kingdom.

Registered in England and Wales. Company Registration Number: 02636775.

HYSTER,  and FORTENS are registered trademarks in the European Union and certain other jurisdictions.

MONOTROL® is a registered trademark, and DURAMATCH and  are trademarks in the United States and in certain other jurisdictions.

Hyster products are subject to change without notice. Lift trucks illustrated may feature optional equipment.